

34 459 809



- shower with fixed riser projection 452mm
 - overhead shower: rain flow
 - rain shower Ø 220 mm
 - rain shower with anti-scale system
 - max. rainshower flow 7 l/min
 - Function from: 6 l/min
 - rotary diverter with volume control and shut-off function
 - slide-on rosettes Ø 70 mm
 - height of fittings up to rain shower (bottom edge) 964mm
 - height of fittings up to top edge of elbow 1267mm
 - gauge 150 mm - 13 mm
 - metal shower hose 1750mm with integrated anti-twist protection
 - 1/2" connection
 - slide bar
 - Pipe diameter 23.5 mm
 - This product can help a building meet the requirements of Green Building Rating Systems, e.g. LEED®, BREEAM®, DGNB
- This article does not include a hand shower!**

Intrinsic protection against back flow.

This article does not include a hand shower!

Intrinsic protection against back flow.

| | | |
|-----------------------------------------------------------------------------------|-------------------------------|---------------|
|  | Chrome | 34 459 809-00 |
|  | Brushed Platinum | 34 459 809-06 |
|  | Platinum | 34 459 809-08 |
|  | Dark Chrome | 34 459 809-19 |
|  | Brushed Durabrass (23kt Gold) | 34 459 809-28 |
|  | Brushed Bronze | 34 459 809-42 |
|  | Brushed Champagne (22kt Gold) | 34 459 809-46 |
|  | Champagne (22kt Gold) | 34 459 809-47 |
|  | Brushed Dark Platinum | 34 459 809-99 |

Required miscellaneous

Hand shower - Chrome

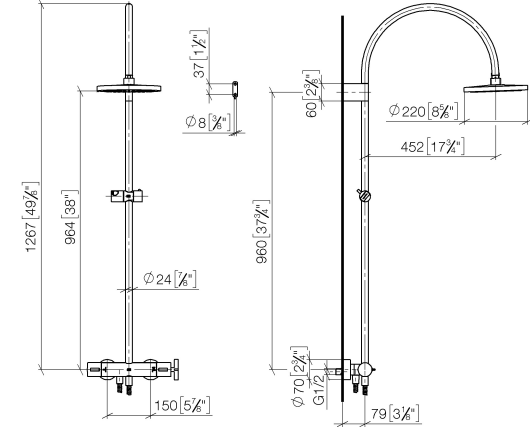
28 016 979-00



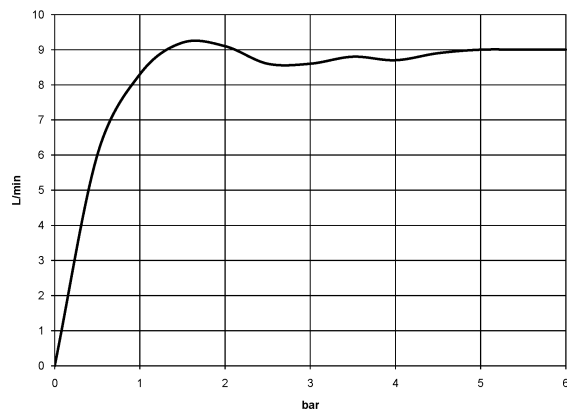
34 459 809

mm [inches]

1:10



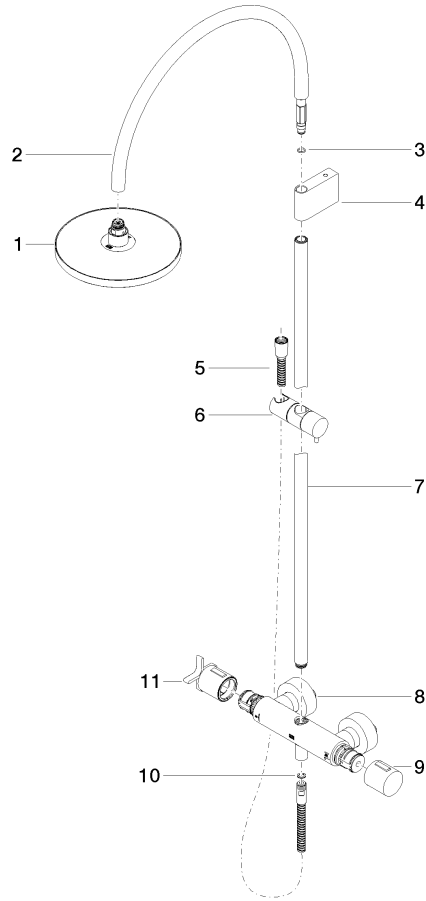
Flow rate chart



Certificates

WRAS_2204013. Belgaqua_24-006- LGA_38737.
27_8.

34 459 809



Spare parts list

| No. | Item Number | Name | Quantity used | Delivery time |
|-----|--------------------|--------------------------------------------------|---------------|---------------|
| 1 | 90 12 05 092 20-00 | shower | 1 | 10 |
| 2 | 04 28 22 346 00-00 | pipe | 1 | 10 |
| 3 | 09 14 10 008 90 | seal | 1 | 2 |
| 4 | 90 17 11 150 00-00 | holder | 1 | 10 |
| 5 | 28 322 970-00 | Metal shower hose 1/2" x 3/8" x 1750 mm - Chrome | 1 | 2 |
| 6 | 12 570 970-00 | Slide unit - Chrome | 1 | 10 |
| 7 | 90 28 22 349 00-00 | pipe | 1 | 10 |
| 8 | 04 17 01 250 00-00 | connection | 1 | 10 |
| 9 | 90 17 33 015 00-00 | handle | 1 | 10 |
| 10 | 90 14 20 026 00 90 | seal | 1 | 2 |
| 11 | 90 17 33 030 00-00 | handle | 1 | 10 |