

## Showerpipe with shower thermostat without hand shower FlowReduce - Dark Chrome

IMO

34 459 979



Fits: IMO, LULU, TARA, LISSÉ, VAIA, META

- shower with fixed riser projection 453mm
- overhead shower: rain flow
- rain shower Ø 220 mm
- rain shower with anti-scale system
- max. rainshower flow 7 l/min
- rotary diverter with volume control and shut-off function
- slide-on rosettes Ø 70 mm
- height of fittings up to rain shower (bottom edge) 1009mm
- height of fittings up to top edge of elbow 1150mm
- gauge 150 mm - 13 mm
- metal shower hose 1750mm with integrated anti-twist protection
- 1/2" connection
- slide bar
- Pipe diameter 23.5 mm
- quick clearing
- This product can help a building meet the requirements of Green Building Rating Systems, e.g. LEED®, BREEAM®, DGNB
- WRAS 2204013

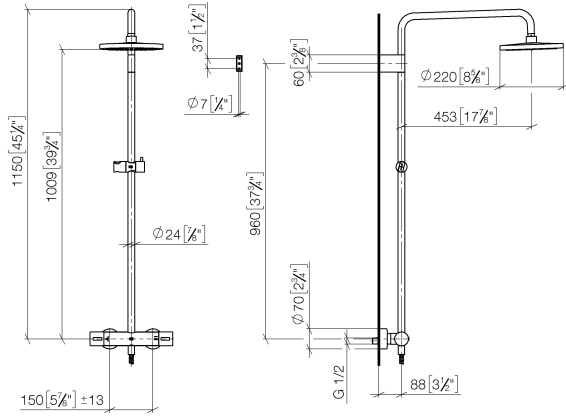
This article does not include a hand shower!

Intrinsic protection against back flow.

	Dark Chrome	34 459 979-19
	Chrome	34 459 979-00
	Brushed Platinum	34 459 979-06
	Platinum	34 459 979-08
	Light Gold	34 459 979-26
	Brushed Light Gold	34 459 979-27
	Brushed Durabronze (23kt Gold)	34 459 979-28
	Matte Black	34 459 979-33
	Brushed Bronze	34 459 979-42
	Brushed Champagne (22kt Gold)	34 459 979-46
	Champagne (22kt Gold)	34 459 979-47
	Brushed Chrome	34 459 979-93
	Brushed Dark Platinum	34 459 979-99

**Showerpipe with shower thermostat without hand shower FlowReduce - Dark Chrome**

34 459 979  
mm [inches]  
1:10



**Flow rate chart**



**Codes & Standards**

DIN 4109

EN 1111

ISO 3822

Scottish Water  
Byelaws

UK Water Supply  
Regulations

Ü-Zeichen



Showerpipe with shower thermostat without hand shower FlowReduce - Dark  
Chrome

---

IMO

34 459 979

Certificates

---

WRAS\_2204

DVGW\_DW-  
6509DN0

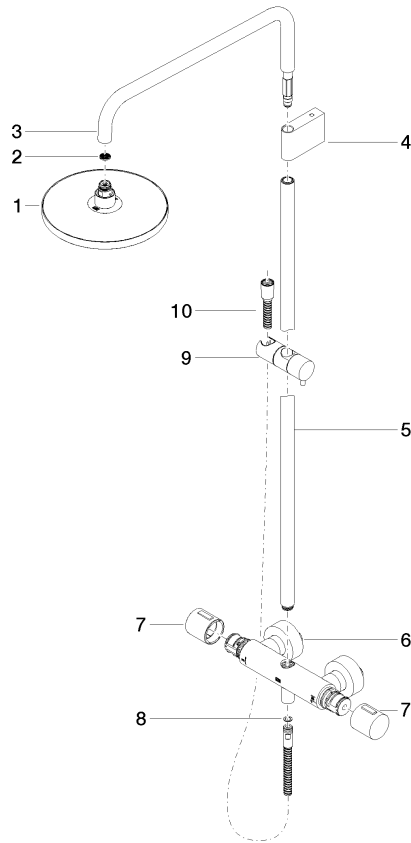
LGA\_38

# Showerpipe with shower thermostat without hand shower FlowReduce - Dark Chrome

IMO

34 459 979

Parts for other finishes can be found here: [Chrome](#)





Showerpipe with shower thermostat without hand shower FlowReduce - Dark  
Chrome

---

IMO

34 459 979

**Spare parts list**