

**Showerpipe with shower thermostat without hand shower FlowReduce -
Brushed Dark Platinum**

IMO

34 459 979





Fits: IMO, LULU, TARA, LISSÉ, VAIA, META

- shower with fixed riser projection 453mm
- overhead shower: rain flow
- rain shower Ø 220 mm
- rain shower with anti-scale system
- max. rainshower flow 7 l/min
- rotary diverter with volume control and shut-off function
- slide-on rosettes Ø 70 mm
- height of fittings up to rain shower (bottom edge) 1009mm
- height of fittings up to top edge of elbow 1150mm
- gauge 150 mm - 13 mm
- metal shower hose 1750mm with integrated anti-twist protection
- 1/2" connection
- slide bar
- Pipe diameter 23.5 mm
- quick clearing
- This product can help a building meet the requirements of Green Building Rating Systems, e.g. LEED®, BREEAM®, DGNB
- WRAS 2204013

This article does not include a hand shower!

Intrinsic protection against back flow.


| | | |
|--------------------------------------------------------------------------------------|--------------------------------|---------------|
|  | Brushed Dark Platinum | 34 459 979-99 |
|  | Chrome | 34 459 979-00 |
|  | Brushed Platinum | 34 459 979-06 |
|  | Platinum | 34 459 979-08 |
|  | Dark Chrome | 34 459 979-19 |
|  | Light Gold | 34 459 979-26 |
|  | Brushed Light Gold | 34 459 979-27 |
|  | Brushed Durabronze (23kt Gold) | 34 459 979-28 |
|  | Matte Black | 34 459 979-33 |
|  | Brushed Bronze | 34 459 979-42 |
|  | Brushed Champagne (22kt Gold) | 34 459 979-46 |
|  | Champagne (22kt Gold) | 34 459 979-47 |
|  | Brushed Chrome | 34 459 979-93 |

Showerpipe with shower thermostat without hand shower FlowReduce - Brushed Dark Platinum

IMO

34 459 979

Required miscellaneous

| | | |
|-----------------------------------------------------------------------------------|-----------------------------------------------------------|-----------------------|
|  | Hand shower FlowReduce - Brushed Dark Platinum | 28 012 979-99 0010 |
|-----------------------------------------------------------------------------------|-----------------------------------------------------------|-----------------------|


Required miscellaneous

| | | |
|-----------------------------------------------------------------------------------|------------------------------------------------|---------------|
|  | Hand shower - Brushed Dark Platinum | 28 016 979-99 |
|-----------------------------------------------------------------------------------|------------------------------------------------|---------------|

Required miscellaneous

| | | |
|-----------------------------------------------------------------------------------|-----------------------------------------------------------|-----------------------|
|  | Hand shower FlowReduce - Brushed Dark Platinum | 28 016 979-99 0010 |
|-----------------------------------------------------------------------------------|-----------------------------------------------------------|-----------------------|

Required miscellaneous

| | | |
|-----------------------------------------------------------------------------------|-----------------------------------------------------------|-----------------------|
|  | Hand shower FlowReduce - Brushed Dark Platinum | 28 018 979-99 0010 |
|-----------------------------------------------------------------------------------|-----------------------------------------------------------|-----------------------|

Required miscellaneous

| | | |
|-------------------------------------------------------------------------------------|---------------------------------------------------------------|-----------------------|
|  | SERIES-VARIOUS Hand shower - Brushed Dark Platinum | 28 029 979-99 0010 |
|-------------------------------------------------------------------------------------|---------------------------------------------------------------|-----------------------|

Required miscellaneous

| | | |
|-------------------------------------------------------------------------------------|---------------------------------------------------------------|-----------------------|
|  | SERIES-VARIOUS Hand shower - Brushed Dark Platinum | 28 027 979-99 0010 |
|-------------------------------------------------------------------------------------|---------------------------------------------------------------|-----------------------|

Required miscellaneous

| | | |
|-----------------------------------------------------------------------------------|------------------------------------------------|---------------|
|  | Hand shower - Brushed Dark Platinum | 28 017 979-99 |
|-----------------------------------------------------------------------------------|------------------------------------------------|---------------|

Required miscellaneous

| | | |
|-----------------------------------------------------------------------------------|------------------------------------------------|---------------|
|  | Hand shower - Brushed Dark Platinum | 28 012 979-99 |
|-----------------------------------------------------------------------------------|------------------------------------------------|---------------|

Required miscellaneous

| | | |
|-----------------------------------------------------------------------------------|------------------------------------------------|---------------|
|  | Hand shower - Brushed Dark Platinum | 28 018 979-99 |
|-----------------------------------------------------------------------------------|------------------------------------------------|---------------|

Required miscellaneous

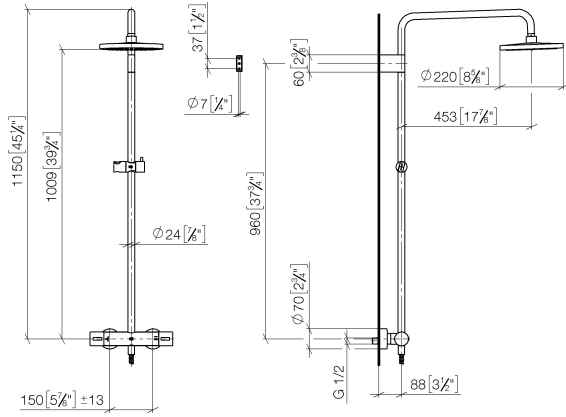
| | | |
|-----------------------------------------------------------------------------------|---------------------------------------------------------------|---------------|
|  | SERIES-VARIOUS Hand shower - Brushed Dark Platinum | 28 029 979-99 |
|-----------------------------------------------------------------------------------|---------------------------------------------------------------|---------------|

Required miscellaneous

| | | |
|-------------------------------------------------------------------------------------|---------------------------------------------------------------|-----------------------|
|  | SERIES-VARIOUS Hand shower - Brushed Dark Platinum | 28 025 979-99 0010 |
|-------------------------------------------------------------------------------------|---------------------------------------------------------------|-----------------------|

**Showerpipe with shower thermostat without hand shower FlowReduce -
Brushed Dark Platinum**

34 459 979
mm [inches]
1:10



Flow rate chart



Codes & Standards

DIN 4109

EN 1111

EN 1717

ISO 3822

Scottish Water
Byelaws

UK Water Supply
Regulations

Ü-Zeichen



Showerpipe with shower thermostat without hand shower FlowReduce -
Brushed Dark Platinum

IMO

34 459 979

Certificates

WRAS_2204

DVGW_DW-
6509DN0

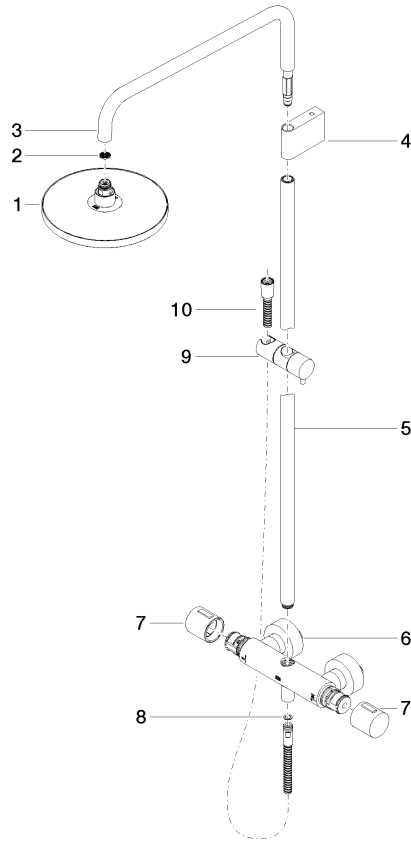
Belgaqua_21-032-2 LGA_38

Showerpipe with shower thermostat without hand shower FlowReduce - Brushed Dark Platinum

34 459 979

Product version from 4/1/2024

Parts for other
finishes can be found
here: [Chrome](#)





Showerpipe with shower thermostat without hand shower FlowReduce -
Brushed Dark Platinum

IMO

34 459 979

Spare parts list

Product version from 4/1/2024

| No. | Item Number | Name | Quantity used | Delivery time |
|-----|--------------------|--------|---------------|---------------|
| | 90 12 05 092 20-99 | shower | 11 | 30 |