

34 459 980



Fits: IMO, MEM, CL.1, CYO

- shower with fixed riser projection 453mm
- overhead shower: rain flow
- rain shower 300 x 240mm
- rain shower with anti-scale system
- max. rainshower flow 20 l/min
- Function from: 12 l/min
- rotary diverter with volume control and shut-off function
- slide-on rosettes Ø 70 mm
- height of fittings up to rain shower (bottom edge) 1009mm
- height of fittings up to top edge of elbow 1150mm
- gauge 150 mm - 13 mm
- metal shower hose 1750mm with integrated anti-twist protection
- 1/2" connection
- slide bar
- Pipe diameter 23.5 mm
- quick clearing
- WRAS 2204013

This article does not include a hand shower!  
Intrinsic protection against back flow.

|  |                                |               |
|--|--------------------------------|---------------|
|    | Brushed Light Gold             | 34 459 980-27 |
|    | Chrome                         | 34 459 980-00 |
|    | Brushed Platinum               | 34 459 980-06 |
|    | Platinum                       | 34 459 980-08 |
|    | Dark Chrome                    | 34 459 980-19 |
|    | Brushed Durabronze (23kt Gold) | 34 459 980-28 |
|    | Matte Black                    | 34 459 980-33 |
|    | Brushed Champagne (22kt Gold)  | 34 459 980-46 |
|    | Champagne (22kt Gold)          | 34 459 980-47 |
|   | Brushed Chrome                 | 34 459 980-93 |
|  | Brushed Dark Platinum          | 34 459 980-99 |

Required miscellaneous

|   |  |                       |
|---|--|-----------------------|
|  | <b>Hand shower FlowReduce - Brushed Light Gold</b> | 28 018 979-27<br>0010 |
|---|--|-----------------------|

Required miscellaneous

|   |   |               |
|---|---|---------------|
|  | <b>Hand shower - Brushed Light Gold</b> | 28 016 979-27 |
|---|---|---------------|

Required miscellaneous

|   |   |               |
|---|---|---------------|
|  | <b>Hand shower - Brushed Light Gold</b> | 28 017 979-27 |
|---|---|---------------|

Required miscellaneous

|   |  |                       |
|---|--|-----------------------|
|  | <b>Hand shower FlowReduce - Brushed Light Gold</b> | 28 012 979-27<br>0010 |
|---|--|-----------------------|

Required miscellaneous

|   |   |               |
|---|---|---------------|
|  | <b>Hand shower - Brushed Light Gold</b> | 28 018 979-27 |
|---|---|---------------|

Required miscellaneous

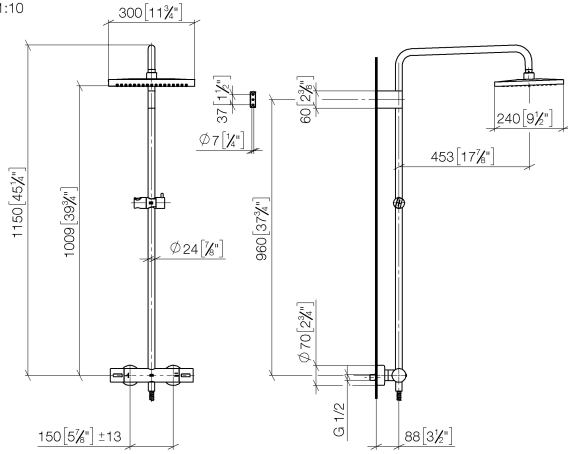
|   |   |               |
|---|---|---------------|
|  | <b>Hand shower - Brushed Light Gold</b> | 28 012 979-27 |
|---|---|---------------|

Required miscellaneous

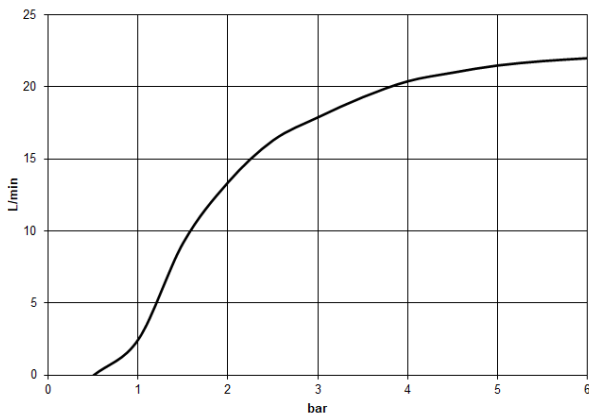
|   |  |                       |
|---|--|-----------------------|
|  | <b>Hand shower FlowReduce - Brushed Light Gold</b> | 28 016 979-27<br>0010 |
|---|--|-----------------------|

34 459 980

mm [inches]  
1:10



**Flow rate chart**



**Codes & Standards**

DIN 4109

ISO 3822

Scottish Water  
Byelaws

UK Water Supply  
Regulations

**Ü-Zeichen**



Showerpipe with shower thermostat without hand shower - Brushed Light Gold

---

IMO

34 459 980

Certificates

---

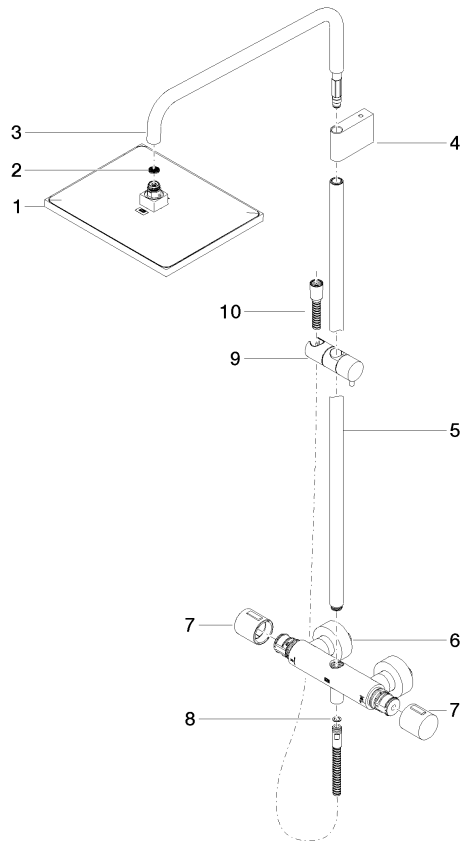
WRAS\_2204

LGA\_38

34 459 980

**Product version from 6/1/2024**

Parts for other finishes can be found here: [Chrome](#)





# Showerpipe with shower thermostat without hand shower - Brushed Light Gold

IMO

34 459 980

## Spare parts list

### Product version from 6/1/2024

| No. | Item Number        | Name   | Quantity used | Delivery time |
|-----|--------------------|--------|---------------|---------------|
|     | 04 12 05 063 00-27 | shower | 11            | 60            |