


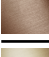

34 460 979



Fits: IMO, LULU, TARA, LISSÉ, VAIA, META

- shower with fixed riser projection 453mm
- overhead shower: rain flow
- rain shower Ø 300 mm
- rain shower with anti-scale system
- max. rainshower flow 14 l/min
- Function from: 10 l/min
- rotary diverter with volume control and shut-off function
- slide-on rosettes Ø 70 mm
- height of fittings up to rain shower (bottom edge) 1009mm
- height of fittings up to top edge of elbow 1150mm
- gauge 150 mm - 13 mm
- metal shower hose 1750mm with integrated anti-twist protection
- 1/2" connection
- slide bar
- Pipe diameter 23.5 mm
- quick clearing
- WRAS 2204013

This article does not include a hand shower!  
Intrinsic protection against back flow.


	Brushed Platinum	34 460 979-06
	Chrome	34 460 979-00
	Platinum	34 460 979-08
	Dark Chrome	34 460 979-19
	Dark Chrome	34 460 979-19 0010
	Light Gold	34 460 979-26
	Brushed Light Gold	34 460 979-27
	Brushed Durabronze (23kt Gold)	34 460 979-28
	Matte Black	34 460 979-33
	Brushed Bronze	34 460 979-42
	Brushed Champagne (22kt Gold)	34 460 979-46
	Champagne (22kt Gold)	34 460 979-47
	Brushed Chrome	34 460 979-93
	Brushed Dark Platinum	34 460 979-99

# Showerpipe with shower thermostat without hand shower - Brushed Platinum


IMO

34 460 979

Required miscellaneous

	<b>Hand shower FlowReduce - Brushed Platinum</b>	28 016 979-06 0010
---	--	-----------------------


Required miscellaneous

	<b>Hand shower - Brushed Platinum</b>	28 017 979-06
---	---------------------------------------	---------------

Required miscellaneous

	<b>Hand shower - Brushed Platinum</b>	28 012 979-06
---	---------------------------------------	---------------

Required miscellaneous

	<b>Hand shower FlowReduce - Brushed Platinum</b>	28 018 979-06 0010
---	--	-----------------------


Required miscellaneous

	<b>SERIES-VARIOUS Hand shower - Brushed Platinum</b>	28 029 979-06
---	--	---------------


Required miscellaneous

	<b>SERIES-VARIOUS Hand shower - Brushed Platinum</b>	28 025 979-06 0010
---	--	-----------------------

Required miscellaneous

	<b>Hand shower FlowReduce - Brushed Platinum</b>	28 012 979-06 0010
---	--	-----------------------

Required miscellaneous

	<b>Hand shower - Brushed Platinum</b>	28 016 979-06
---	---------------------------------------	---------------

Required miscellaneous

	<b>Hand shower - Brushed Platinum</b>	28 018 979-06
---	---------------------------------------	---------------

Required miscellaneous

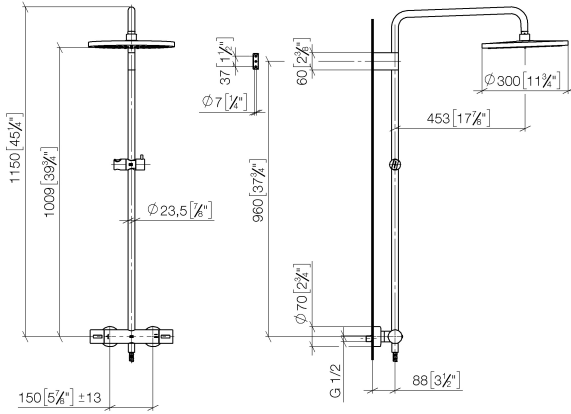
	<b>SERIES-VARIOUS Hand shower - Brushed Platinum</b>	28 029 979-06 0010
---	--	-----------------------

Required miscellaneous

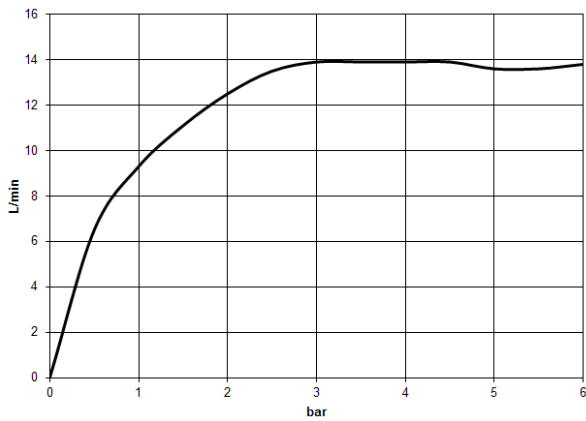
	<b>SERIES-VARIOUS Hand shower - Brushed Platinum</b>	28 027 979-06 0010
---	--	-----------------------

34 460 979

mm [inches]  
1:10



Flow rate chart



Codes & Standards

DIN 4109

EN 1111

EN 1717

ISO 3822

Scottish Water  
Byelaws

UK Water Supply  
Regulations

Ü-Zeichen



## Showerpipe with shower thermostat without hand shower - Brushed Platinum

---

IMO

34 460 979

### Certificates

---

WRAS\_2204

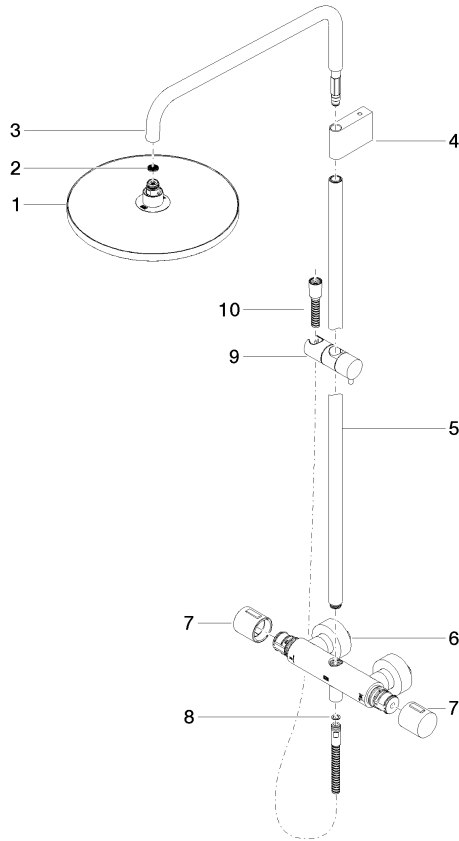
DVGW\_DW-  
6509DN0

Belgaqua\_21-032-2 LGA\_38

34 460 979

**Product version from 4/1/2024**

Parts for other finishes can be found here: [Chrome](#)





# Showerpipe with shower thermostat without hand shower - Brushed Platinum

IMO

34 460 979

## Spare parts list

### Product version from 4/1/2024

No.	Item Number	Name	Quantity used	Delivery time
	04 12 05 091 00-06	shower	11	10