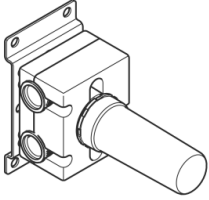


Concealed two-way diverter -

35 125 970 90

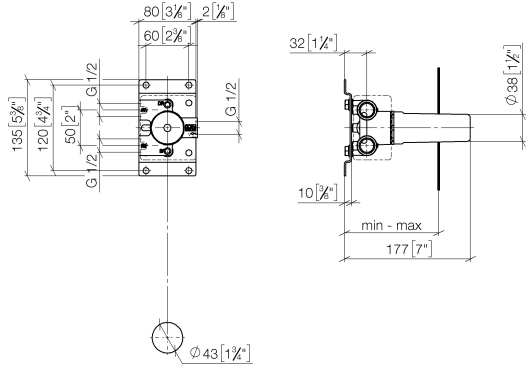


- red brass, lead-free
- female thread 1/2" connection
- 2x female thread 1/2" outlet
- cut-to-length spindle and sleeve
- dust cover
- anti-water packing
- soundproofing
- suitable for xGRID (when using installation track + 12 mm recess depth)

Concealed two-way diverter -

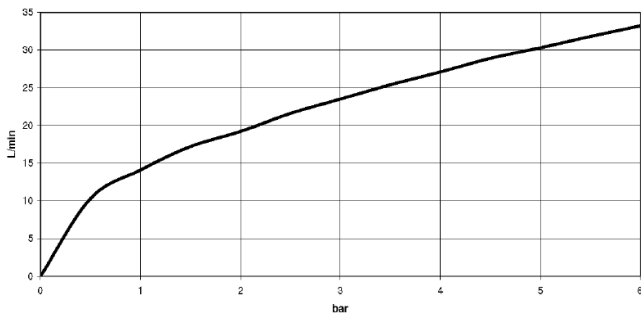
35 125 970 90

mm [inches]



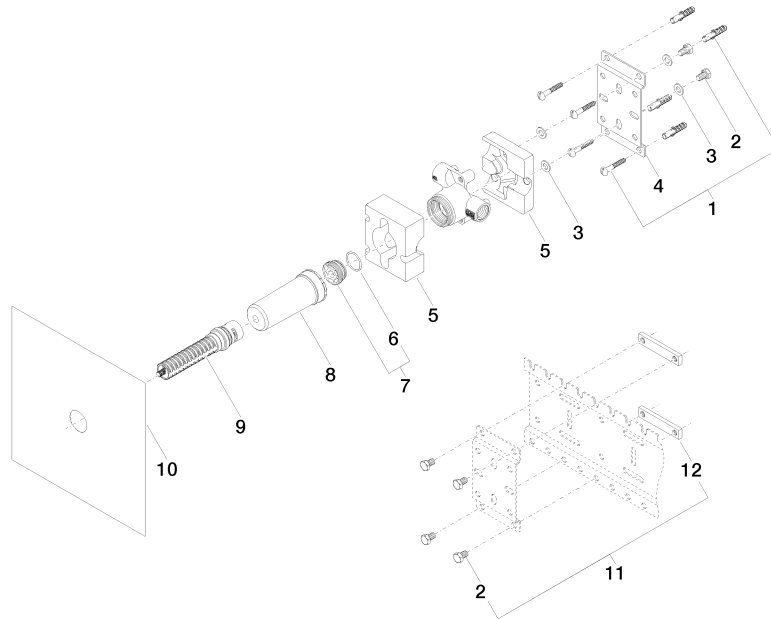
	min	max
DEQUE	91 [3 5/8"]	165 [6 1/2"]
Symetrics	91 [3 5/8"]	165 [6 1/2"]

Flow rate chart



Concealed two-way diverter -

35 125 970 90



Spare parts list

No.	Item Number	Name	Quantity used	Delivery time
1	04 30 31 024 01 90	fixing set	2	2
2	09 30 30 152 90	screw	6	2
3	09 30 11 139 90	disc	4	2
4	09 17 20 094 90	holder	1	2
5	09 11 11 035 90	accessories	1	60
6	09 14 10 112 90	seal	1	2
7	04 30 11 149 00 90	plug	1	2
8	09 21 02 136 90	cap	1	2
9	90 90 03 159 00 90	diverter	1	2
10	04 14 03 116 00 90	gasket kit	1	2
11	04 17 20 100 00 90	fixing set	1	2
12	09 17 20 100 90	holder	2	60