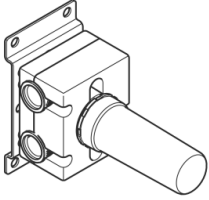


Concealed two-way diverter -

35 128 970 90

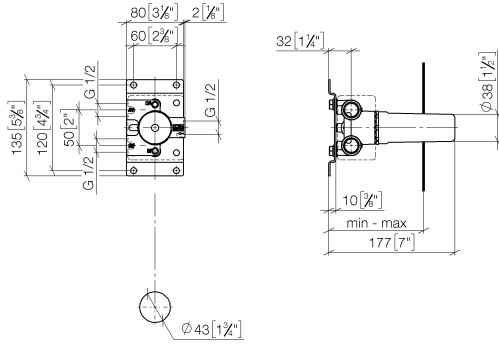


- red brass, lead-free
- female thread 1/2" connection
- 2x female thread 1/2" outlet
- dust cover
- anti-water packing
- soundproofing
- suitable for xGRID (when using installation track + 12 mm recess depth)

Concealed two-way diverter -

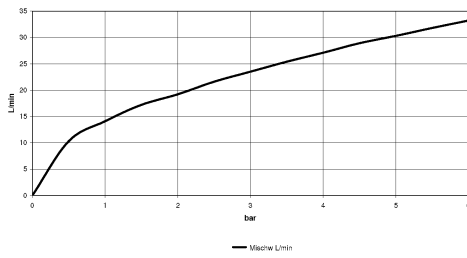
35 128 970 90

mm [inches]



	min	max
Symetrics	88 [3 1/2\"/>	

Flow rate chart



Codes & Standards

DIN 4109

ISO 3822

Ü-Zeichen



Concealed two-way diverter -

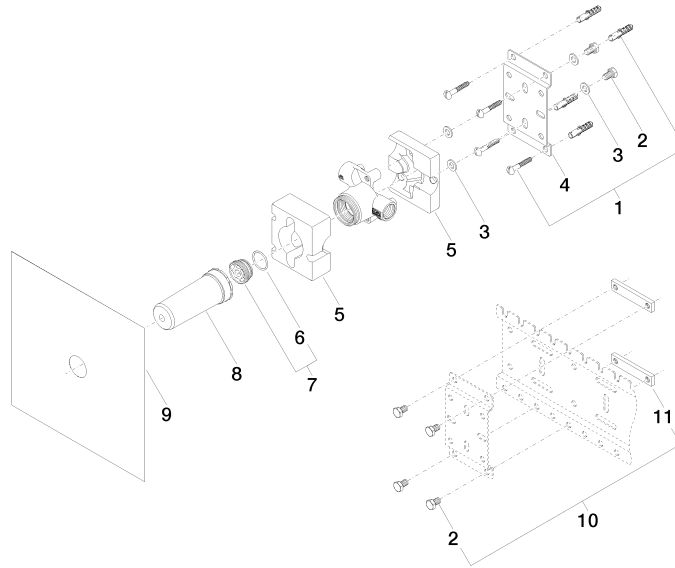
35 128 970 90

Certificates

LGA_18

Concealed two-way diverter -

35 128 970 90



Spare parts list

No.	Item Number	Name	Quantity used	Delivery time
1	04 30 31 024 01 90	fixing set	2	2
2	09 30 30 152 90	screw	6	2
3	09 30 11 139 90	disc	4	2
4	09 17 20 094 90	holder	1	2
5	09 11 11 035 90	accessories	1	60
6	09 14 10 112 90	seal	1	2
7	04 30 11 149 00 90	plug	1	2
8	09 21 02 136 90	cap	1	2
9	04 14 03 116 00 90	gasket kit	1	2
10	04 17 20 100 00 90	fixing set	1	2
11	09 17 20 100 90	holder	2	60