



Concealed wall installation box -

35 206 970 90 Product version from 3/7/2023



- female thread 1/2" connection
- dust cover
- anti-water packing
- WRAS

Recommended miscellaneous



**xGRID Attachment set for
integrating in the dry wall
construction -**

12 340 970 90

Required miscellaneous

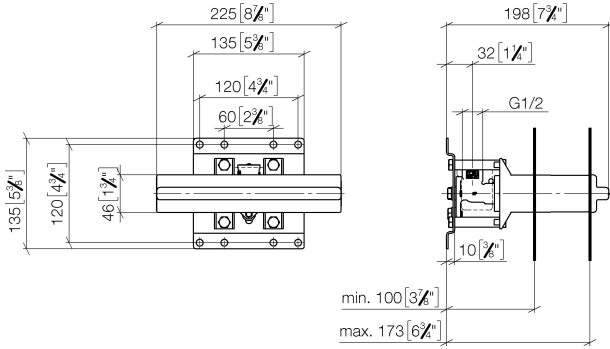


xGRID Installation track 555 mm - 12 360 970 90

Concealed wall installation box -

35 206 970 90 Product version from 3/7/2023

mm [inches]



Codes & Standards

DIN 4109

ISO 3822

Scottish Water
Byelaws

UK Water Supply
Regulations

Ü-Zeichen

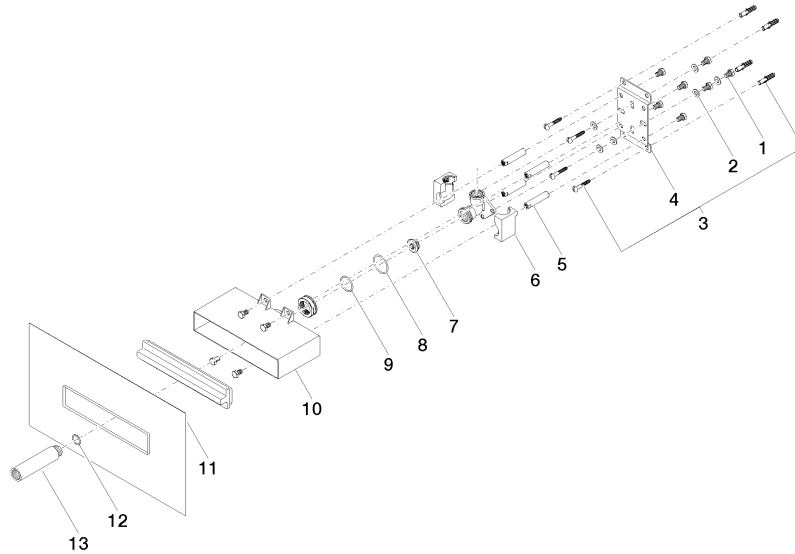
Certificates

WRAS_2106

LGA_19

Concealed wall installation box -

35 206 970 90 Product version from 3/7/2023



Spare parts list

No.	Item Number	Name	Quantity used	Delivery time
1	09 30 30 152 90	screw	11	2
2	09 30 11 139 90	disc	6	2
3	04 30 31 024 01 90	fixing set	1	2
4	09 17 20 094 90	holder	1	2
5	09 18 40 138 90	sleeve	1	60
6	09 11 11 036 90	accessories	1	2
7	04 31 20 006 00 90	plug	1	2
8	09 14 10 149 90	seal	1	2
9	09 14 10 118 90	seal	1	2
10	09 11 11 053 90	accessories	1	60
11	04 14 03 126 00 90	gasket kit	1	2
12	90 14 10 010 00 90	seal	1	2
13	09 24 03 169 10 90	adaptor	1	2