

## Concealed thermostat with built-in isolators -

---

35 426 970 90



- pre-seal
- lead-free, dezincification resistant
- 2x back flow preventer
- 2x female thread 1/2" connections
- 3x outlet G 1/2"
- dust cover
- anti-water packing
- sound and thermal insulation
- suitable for xGRID (when using installation track + 12 mm recess depth)
- gauge 70 mm
- WRAS 1906098

### Recommended miscellaneous

---



**xGRID Attachment set for  
integrating in the dry wall  
construction -**

12 340 970 90

### Required miscellaneous

---

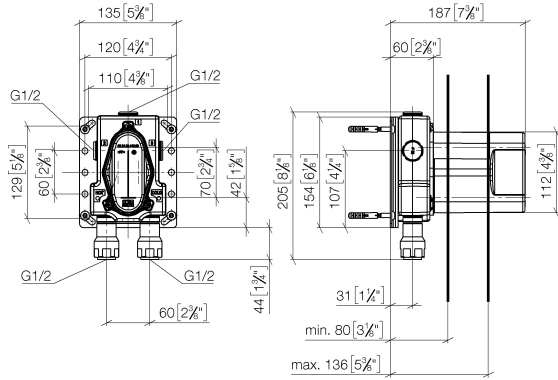


**xGRID Installation track 555 mm -** 12 360 970 90

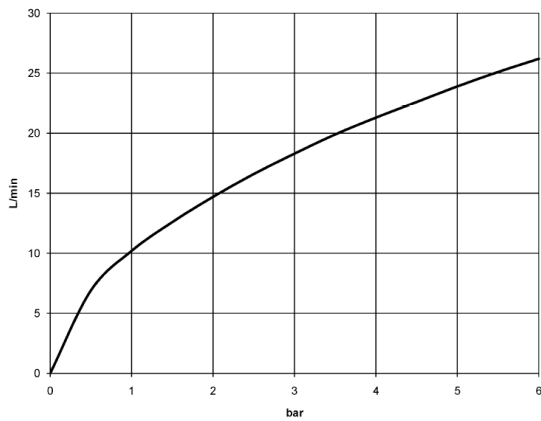
**Concealed thermostat with built-in isolators -**

35 426 970 90

mm [inches]



**Flow rate chart**



**Certificates**

Belgaqua\_21-031-27\_6.

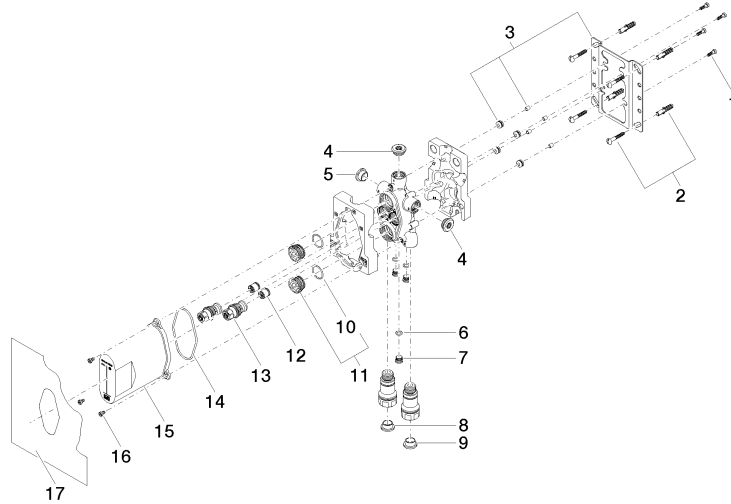
ETA\_20551.

DVGW\_DW-6512DN0119.

WRAS\_1906098.

**Concealed thermostat with built-in isolators -**

35 426 970 90



**Spare parts list**

No.	Item Number	Name	Quantity used	Delivery time
1	09 30 30 171 90	screw	4	2
2	04 30 31 024 01 90	fixing set	2	2
3	04 17 20 127 00 90	holder	1	2
4	04 31 20 006 00 90	plug	2	2
5	09 31 20 092 90	plug	1	2
6	09 14 10 139 90	seal	3	2
7	04 31 20 039 11 90	plug	3	2
8	09 31 20 093 90	plug	1	2
9	09 31 20 094 90	plug	1	2
10	09 14 10 112 90	seal	2	2
11	04 30 11 149 00 90	plug	2	2
12	90 23 01 040 00 90	back-flow preventer	2	2
13	04 29 05 031 01 90	insert	2	2
14	09 14 10 512 90	seal	1	2
15	04 21 02 146 00 90	cap	1	2
16	09 30 30 112 90	screw	3	2
17	04 14 03 080 00 90	gasket kit	1	2