

eSET Touchfree Basin mixer with temperature setting for combining with wall-mounted fittings -

35 741 970 90 Product version from 7/3/2017



- lead-free
- 2x male thread 1/2" connection
- 2x back flow preventer
- 2x integrated supply stop
- concealed installation
- min. recess depth 90 mm
- max. recess depth 125 mm
- WRAS

Can be combined with spouts from the Vaia, Lissé, CL.1, IMO, Tara., Tara Logic, Meta.02, Deque, Supernova, Symetrics, LULU and MEM series

Cannot be combined with spouts with a pull-rod pop-up waste.

Please combine with item no. 10 126 970-FF

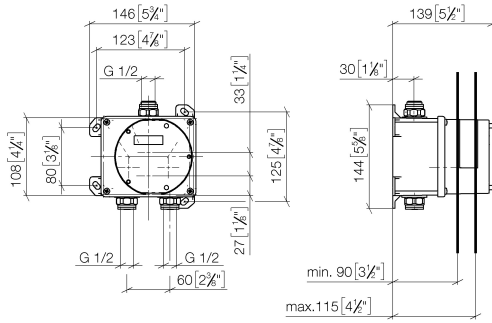
Other series and finishes on request (x-TRA SERVICE)

ATTENTION: Separate terms and conditions for electronic articles are applicable.



eSET Touchfree Basin mixer with temperature setting for combining with wall-mounted fittings -

35 741 970 90 Product version from 7/3/2017
mm [inches]



Codes & Standards

DIN 4109

EN 1717

ISO 3822

Scottish Water
Byelaws

UK Water Supply
Regulations

Ü-Zeichen

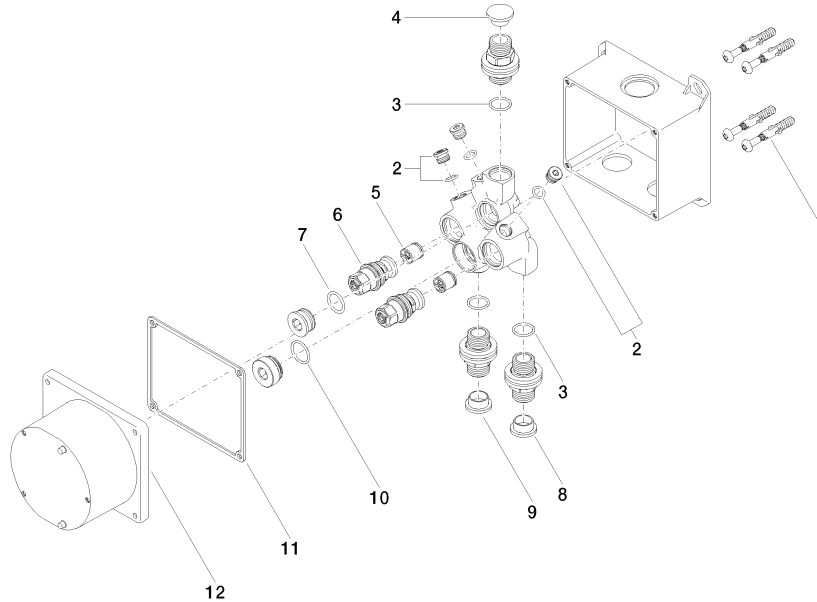
Certificates

WRAS_1906

Belgaqua_23-210-2 LGA_29

eSET Touchfree Basin mixer with temperature setting for combining with wall-mounted fittings -

35 741 970 90 Product version from 7/3/2017



Spare parts list

No.	Item Number	Name	Quantity used	Delivery time
1	04 30 31 024 01 90	fixing set	2	2
2	04 31 20 039 11 90	plug	3	2
3	90 14 10 010 00 90	seal	3	2
4	09 31 20 092 90	plug	1	2
5	90 23 01 040 00 90	back-flow preventer	2	2
6	04 29 05 031 01 90	insert	2	2
7	09 14 10 117 90	seal	1	2
8	09 31 20 094 90	plug	1	2
9	09 31 20 093 90	plug	1	2
10	09 14 10 031 90	seal	1	2
11	09 14 03 103 90	seal	1	2
12	09 11 11 011 90	lid	1	2