

## eSET Touchfree Basin mixer without temperature setting for combining with free-standing fittings -

---

35 742 970 90 Product version from 7/3/2017



- lead-free
- 1x back flow preventer
- 1x male 1/2" connector
- surface-mounted installation
- WRAS

Can be combined with spouts from the Vaia, Lissé, CL.1, IMO, Tara., Tara Logic, Meta.02, Deque, Supernova, Symetrics, LULU and MEM series

Cannot be combined with spouts with a pull-rod pop-up waste.

Please combine with item no. 10 126 970-FF

Other series and finishes on request (x-TRA SERVICE)

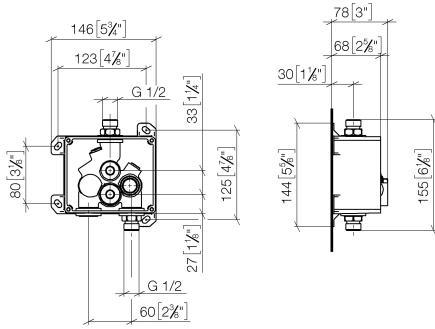
ATTENTION: Separate terms and conditions for electronic articles are applicable.



## eSET Touchfree Basin mixer without temperature setting for combining with free-standing fittings -

---

35 742 970 90 Product version from 7/3/2017  
mm [inches]



### Codes & Standards

---

DIN 4109

ISO 3822

Scottish Water  
Byelaws

UK Water Supply  
Regulations

Ü-Zeichen

### Certificates

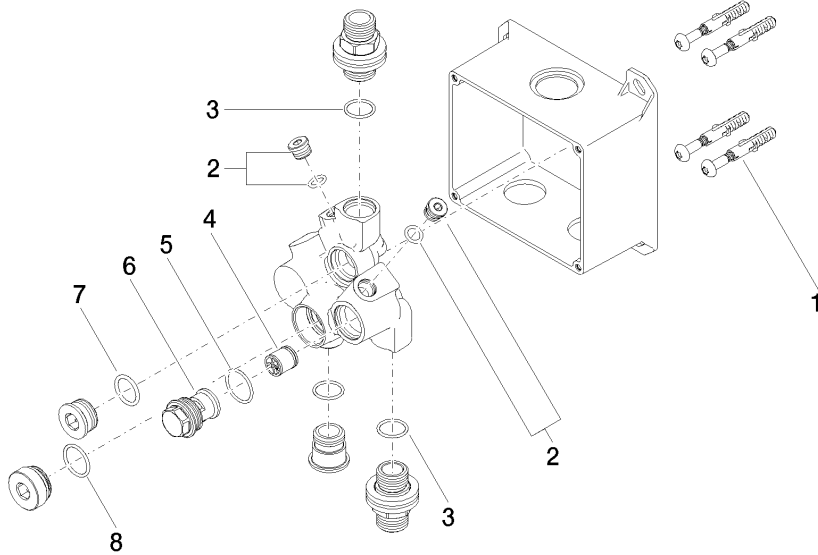
---

LGA\_29

WRAS\_1906

**eSET Touchfree Basin mixer without temperature setting for combining with free-standing fittings -**

35 742 970 90 Product version from 7/3/2017



**Spare parts list**

No.	Item Number	Name	Quantity used	Delivery time
1	04 30 31 024 01 90	fixing set	2	2
2	04 31 20 039 11 90	plug	2	2
3	09 14 10 053 90	seal	3	2
4	90 23 01 040 00 90	back-flow preventer	1	2
5	90 14 10 056 00 90	seal	1	2
6	09 24 03 219 90	nipple	1	2
7	09 14 10 117 90	seal	1	2
8	09 14 10 031 90	seal	1	2