

Concealed single-lever mixer with integrated shower connection with shower set without hand shower - Brushed Dark Platinum

IMO

36 111 970



- metal shower hose 1750mm with integrated anti-twist protection
- slide bar
- Pipe diameter 18 mm
- WRAS 2011027

This article does not include a hand shower!
Intrinsic protection against back flow.

This article does not include a hand shower!

Intrinsic protection against back flow.

Fits: IMO, LULU, MADISON, MEM, TARA, CL.1, LISSÉ, VAIA, META, CYO

	Brushed Dark Platinum	36 111 970-99
	Chrome	36 111 970-00
	Brushed Platinum	36 111 970-06
	Platinum	36 111 970-08
	Dark Chrome	36 111 970-19
	Brushed Light Gold	36 111 970-27
	Brushed Durabronze (23kt Gold)	36 111 970-28
	Matte Black	36 111 970-33
	Brushed Bronze	36 111 970-42
	Brushed Champagne (22kt Gold)	36 111 970-46
	Champagne (22kt Gold)	36 111 970-47
	Brushed Chrome	36 111 970-93

Concealed single-lever mixer with integrated shower connection with shower set without hand shower - Brushed Dark Platinum

IMO

36 111 970

Required miscellaneous



Concealed wall mounting -
 •max. recess depth 105 mm
 •min. recess depth 80 mm

35 050 970 90

Required miscellaneous



**Hand shower FlowReduce -
Brushed Dark Platinum**

28 012 979-99
0010

Required miscellaneous



**Hand shower - Brushed Dark
Platinum**

28 017 979-99

Required miscellaneous



**Hand shower - Brushed Dark
Platinum**

28 016 979-99

Required miscellaneous



**Hand shower - Brushed Dark
Platinum**

28 012 979-99

Required miscellaneous



**Hand shower FlowReduce -
Brushed Dark Platinum**

28 016 979-99
0010

Required miscellaneous



**Hand shower - Brushed Dark
Platinum**

28 018 979-99

Required miscellaneous



**Hand shower FlowReduce -
Brushed Dark Platinum**

28 018 979-99
0010

Required miscellaneous



**SERIES-VARIOUS Hand shower -
Brushed Dark Platinum**

28 029 979-99

Required miscellaneous



**SERIES-VARIOUS Hand shower -
Brushed Dark Platinum**

28 029 979-99
0010

Required miscellaneous



**SERIES-VARIOUS Hand shower -
Brushed Dark Platinum**

28 025 979-99
0010

Required miscellaneous



**SERIES-VARIOUS Hand shower -
Brushed Dark Platinum**

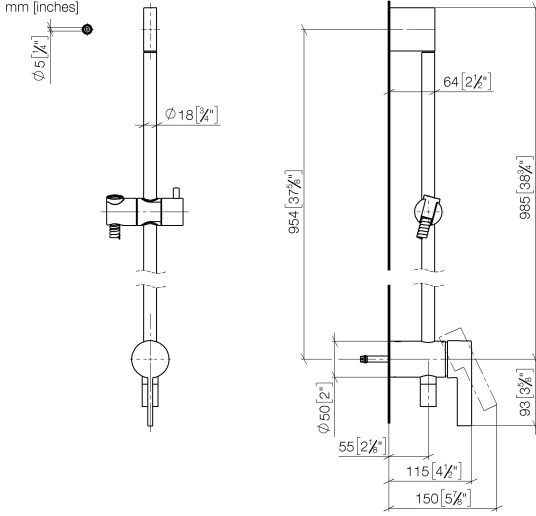
28 027 979-99
0010

Concealed single-lever mixer with integrated shower connection with shower set without hand shower - Brushed Dark Platinum

IMO

36 111 970

mm [inches]



Codes & Standards

DIN 4109

EN 1717

ISO 3822

Scottish Water
Byelaws

UK Water Supply
Regulations

Ü-Zeichen

Certificates

Belgaqua_21-025-2 WRAS_2011

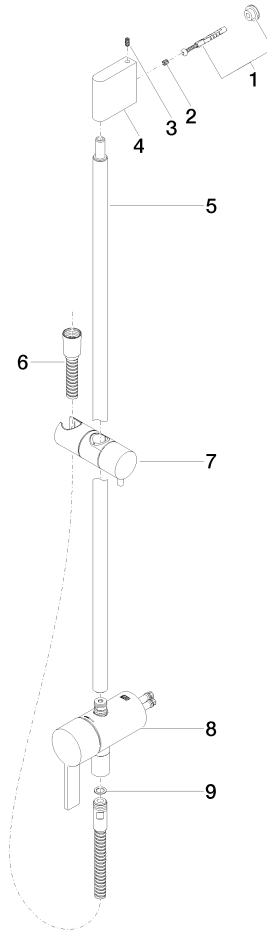
LGA_29

Concealed single-lever mixer with integrated shower connection with shower set without hand shower - Brushed Dark Platinum

IMO

36 111 970

Product version from 10/1/2023





Concealed single-lever mixer with integrated shower connection with shower set without hand shower - Brushed Dark Platinum

IMO

36 111 970

Spare parts list

Product version from 10/1/2023

No.	Item Number	Name	Quantity used	Delivery time
	05 17 20 726 02 90	fixing set	11	2