

36 112 970



Fits: IMO, LULU, TARA, LISSÉ, VAIA, META

- shower with fixed riser projection 450mm
- overhead shower: rain flow
- rain shower Ø 220 mm
- rain shower with anti-scale system
- max. rainshower flow 14 l/min
- height of fittings up to rain shower (bottom edge) 1010mm
- height of fittings up to top edge of elbow 1150mm
- metal shower hose 1750mm with integrated anti-twist protection
- 1/2" connection
- slide bar
- Pipe diameter 23.5 mm
- automatic diverter for fixed-riser shower/hand shower
- quick clearing
- WRAS 2101043

**This article does not include a hand shower!**  
**Intrinsic protection against back flow.**

This article does not include a hand shower!  
Intrinsic protection against back flow.


	Platinum	36 112 970-08
	Chrome	36 112 970-00
	Brushed Platinum	36 112 970-06
	Dark Chrome	36 112 970-19
	Brushed Light Gold	36 112 970-27
	Brushed Durabronze (23kt Gold)	36 112 970-28
	Matte Black	36 112 970-33
	Brushed Bronze	36 112 970-42
	Brushed Champagne (22kt Gold)	36 112 970-46
	Champagne (22kt Gold)	36 112 970-47
	Brushed Chrome	36 112 970-93
	Brushed Dark Platinum	36 112 970-99

# Showerpipe with single-lever shower mixer without hand shower - Platinum


IMO

36 112 970

Required miscellaneous

	<b>Concealed wall mounting -</b> ●max. recess depth 105 mm ●min. recess depth 80 mm	35 050 970 90
---	---	---------------

Required miscellaneous

	<b>Hand shower FlowReduce - Platinum</b>	28 016 979-08 0010
---	--	--------------------

Required miscellaneous

	<b>Hand shower - Platinum</b>	28 017 979-08
---	-------------------------------	---------------

Required miscellaneous

	<b>Hand shower - Platinum</b>	28 018 979-08
---	-------------------------------	---------------

Required miscellaneous

	<b>SERIES-VARIOUS Hand shower - Platinum</b>	28 029 979-08
---	--	---------------


Required miscellaneous

	<b>SERIES-VARIOUS Hand shower - Platinum</b>	28 027 979-08 0010
---	--	--------------------

Required miscellaneous

	<b>Hand shower - Platinum</b>	28 012 979-08
---	-------------------------------	---------------


Required miscellaneous

	<b>Hand shower FlowReduce - Platinum</b>	28 012 979-08 0010
---	--	--------------------

Required miscellaneous

	<b>Hand shower - Platinum</b>	28 016 979-08
---	-------------------------------	---------------

Required miscellaneous

	<b>Hand shower FlowReduce - Platinum</b>	28 018 979-08 0010
---	--	--------------------

Required miscellaneous

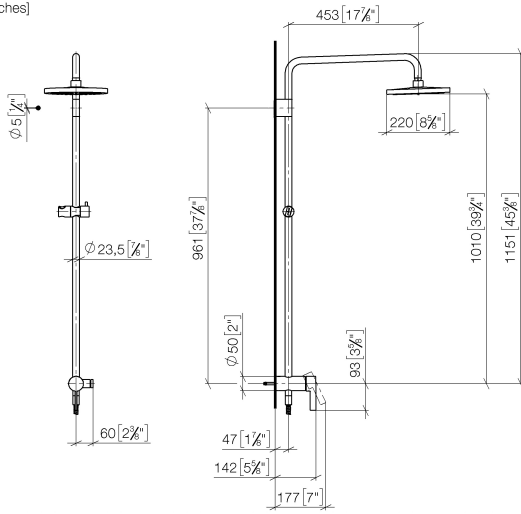
	<b>SERIES-VARIOUS Hand shower - Platinum</b>	28 029 979-08 0010
---	--	--------------------

Required miscellaneous

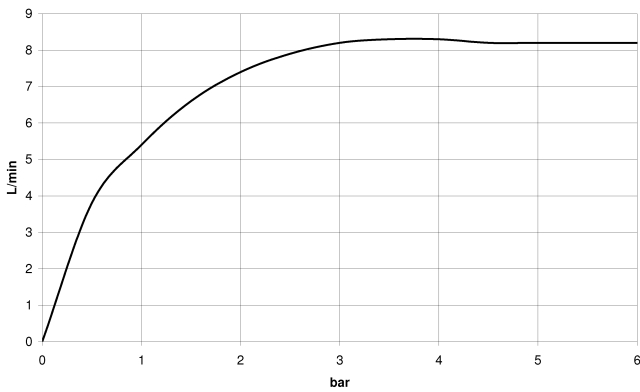
	<b>SERIES-VARIOUS Hand shower - Platinum</b>	28 025 979-08 0010
---	--	--------------------

36 112 970

mm [inches]  
1:10



Flow rate chart



Codes & Standards

DIN 4109

EN 1717

EN 817

ISO 3822

Scottish Water  
Byelaws

UK Water Supply  
Regulations

Ü-Zeichen



# Showerpipe with single-lever shower mixer without hand shower - Platinum

IMO

36 112 970

## Certificates

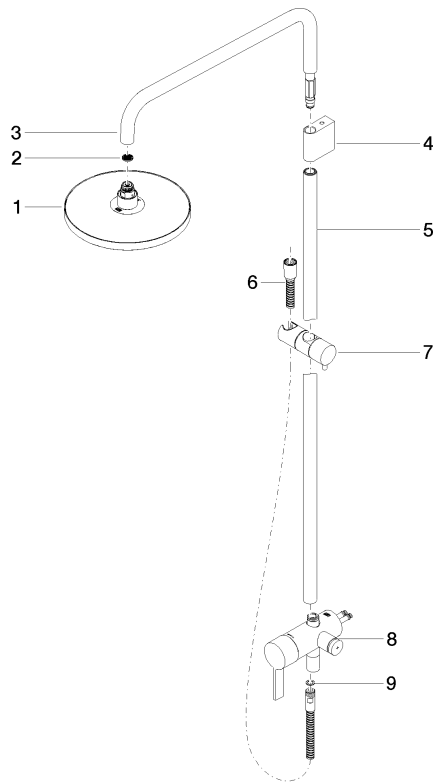
DVGW\_DW-  
6512DN0

Belgaqua\_21-025-2 LGA\_38

WRAS\_2101

36 112 970

Product version from 4/1/2024





# Showerpipe with single-lever shower mixer without hand shower - Platinum

IMO

36 112 970

## Spare parts list

### Product version from 4/1/2024

No.	Item Number	Name	Quantity used	Delivery time
	04 12 05 092 00-08	shower	9	40