

36 112 970



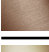



Fits: IMO, LULU, TARA, LISSÉ, VAIA, META

- shower with fixed riser projection 450mm
- overhead shower: rain flow
- rain shower Ø 220 mm
- rain shower with anti-scale system
- max. rainshower flow 14 l/min
- height of fittings up to rain shower (bottom edge) 1010mm
- height of fittings up to top edge of elbow 1150mm
- metal shower hose 1750mm with integrated anti-twist protection
- 1/2" connection
- slide bar
- Pipe diameter 23.5 mm
- automatic diverter for fixed-riser shower/hand shower
- quick clearing
- WRAS 2101043

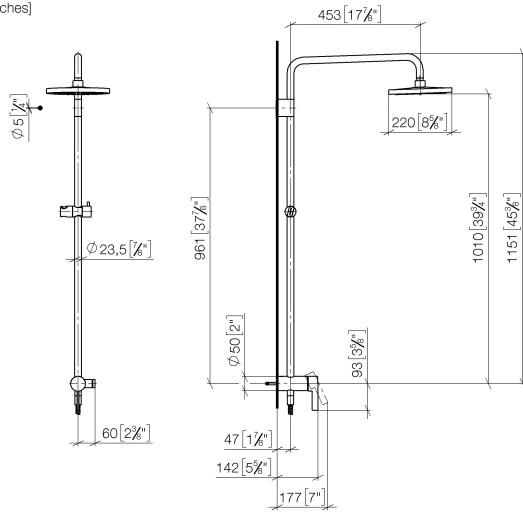
This article does not include a hand shower!

Intrinsic protection against back flow.

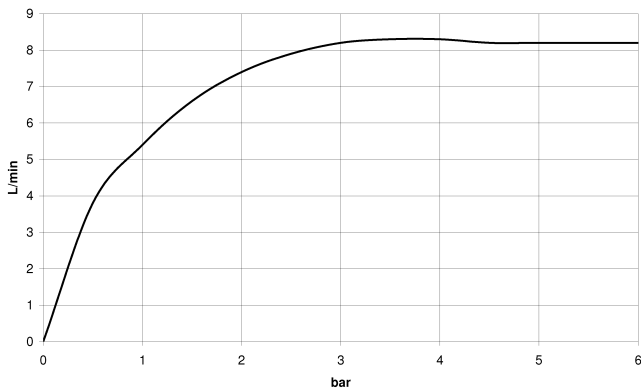
| | | |
|--|--------------------------------|---------------|
|  | Dark Chrome | 36 112 970-19 |
|  | Chrome | 36 112 970-00 |
|  | Brushed Platinum | 36 112 970-06 |
|  | Platinum | 36 112 970-08 |
|  | Brushed Light Gold | 36 112 970-27 |
|  | Brushed Durabronze (23kt Gold) | 36 112 970-28 |
|  | Matte Black | 36 112 970-33 |
|  | Brushed Bronze | 36 112 970-42 |
|  | Brushed Champagne (22kt Gold) | 36 112 970-46 |
|  | Champagne (22kt Gold) | 36 112 970-47 |
|  | Brushed Chrome | 36 112 970-93 |
|  | Brushed Dark Platinum | 36 112 970-99 |

36 112 970

mm [inches]
1:10



Flow rate chart



Codes & Standards

DIN 4109

EN 817

ISO 3822

Ü-Zeichen



Showerpipe with single-lever shower mixer without hand shower - Dark Chrome

IMO

36 112 970

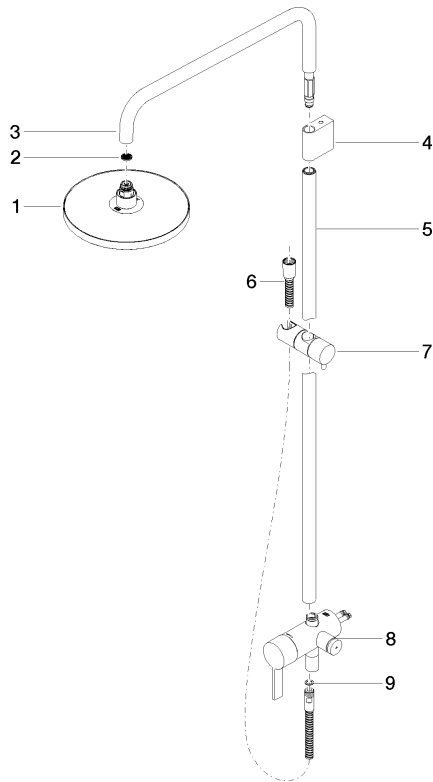
Certificates

DVGW_DW-
6512DN0

LGA_38

36 112 970

Parts for other
finishes can be found
here: [Chrome](#)





Showerpipe with single-lever shower mixer without hand shower - Dark Chrome

IMO

36 112 970

Spare parts list