

**MEM Concealed two-way diverter - Brushed Platinum**

MEM

36 200 782



- rotary diverter
- rosette 60 x 60 mm
- WRAS 2307045

|  |                                     |               |
|--|-------------------------------------|---------------|
|  | Brushed Platinum                    | 36 200 782-06 |
|  | Chrome                              | 36 200 782-00 |
|  | Platinum                            | 36 200 782-08 |
|  | Dark Chrome                         | 36 200 782-19 |
|  | Brushed Durabronze<br>(23kt Gold)   | 36 200 782-28 |
|  | Brushed<br>Champagne (22kt<br>Gold) | 36 200 782-46 |
|  | Champagne (22kt<br>Gold)            | 36 200 782-47 |
|  | Brushed Dark<br>Platinum            | 36 200 782-99 |

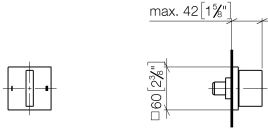
**Required miscellaneous**



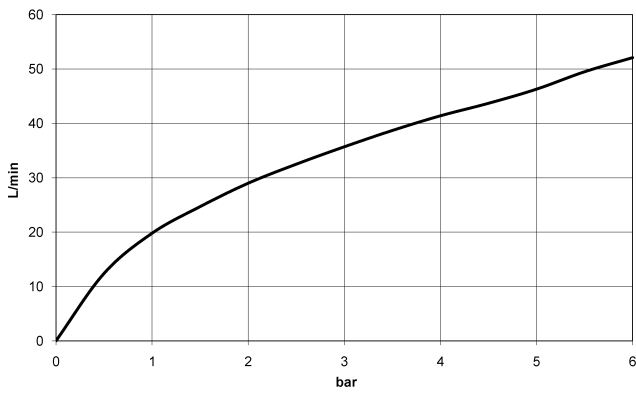
- Concealed two-way diverter -** 35 202 970 90
- max. recess depth 160 mm
  - min. recess depth 115 mm

36 200 782

mm [inches]



**Flow rate chart**



**Codes & Standards**

DIN 4109

ISO 3822

Scottish Water  
Byelaws

UK Water Supply  
Regulations

**Ü-Zeichen**



## MEM Concealed two-way diverter - Brushed Platinum

---

MEM

36 200 782

### Certificates

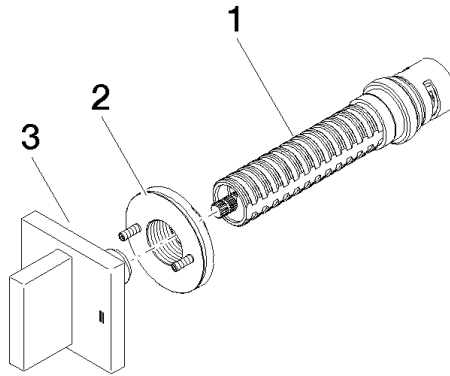
---

WRAS\_2307

LGA\_38

36 200 782

**Product version from 4/1/2022**





MEM Concealed two-way diverter - Brushed Platinum

MEM

36 200 782

**Spare parts list**

**Product version from 4/1/2022**

| No. | Item Number        | Name     | Quantity used | Delivery time |
|-----|--------------------|----------|---------------|---------------|
|     | 90 90 03 304 10 90 | diverter | 3             | 2             |