

Bath spout with pop-up waste and overflow - Platinum

IMO

36 247 970



Fits: IMO, LULU, MADISON, MEM, TARA, CL.1, LISSÉ, VAIA, META, CYO

- drain Ø 52mm
- max. flow 27.8 l/min at 3 bar flow pressure

Also suitable for king-size baths.

In combination with 35 021 970 90 concealed single-lever mixer, is intrinsically safe under DIN EN 1717. Alternatively, ensure protection with vacuum breaker 35 150 970 90.

Also suitable for king-size baths.

In combination with 35 021 970 90 concealed single-lever mixer, is intrinsically safe under DIN EN 1717. Alternatively, ensure protection with vacuum breaker 35 150 970 90.

| | | |
|---|--------------------------------|---------------|
|  | Platinum | 36 247 970-08 |
|  | Chrome | 36 247 970-00 |
|  | Brushed Platinum | 36 247 970-06 |
|  | Durabronze (23kt Gold) | 36 247 970-09 |
|  | Dark Chrome | 36 247 970-19 |
|  | Light Gold | 36 247 970-26 |
|  | Brushed Light Gold | 36 247 970-27 |
|  | Brushed Durabronze (23kt Gold) | 36 247 970-28 |
|  | Matte Black | 36 247 970-33 |
|  | Brushed Bronze | 36 247 970-42 |
|  | Brushed Champagne (22kt Gold) | 36 247 970-46 |
|  | Champagne (22kt Gold) | 36 247 970-47 |
|  | Brushed Chrome | 36 247 970-93 |
|  | Brushed Dark Platinum | 36 247 970-99 |

Required miscellaneous



Vacuum breaker -
•3/4" connection

35 150 970 90

Required miscellaneous

Vacuum breaker - Platinum

36 150 970-08



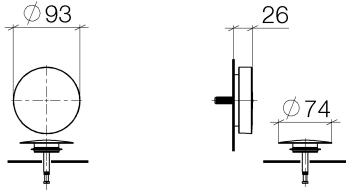
Required miscellaneous



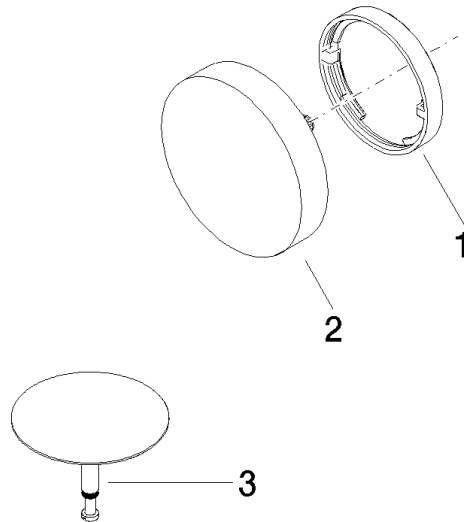
Bath spout with pop-up waste and overflow -
•bowden cable length 725 mm

35 248 970 90

36 247 970



36 247 970



Spare parts list

| No. | Item Number | Name | Quantity used | Delivery time |
|-----|--------------------|--------|---------------|---------------|
| 1 | 09 11 01 124-08 | cover | 1 | 40 |
| 2 | 90 20 97 061 00-08 | handle | 1 | 40 |
| 3 | 04 31 20 031 48-08 | plug | 1 | 40 |