

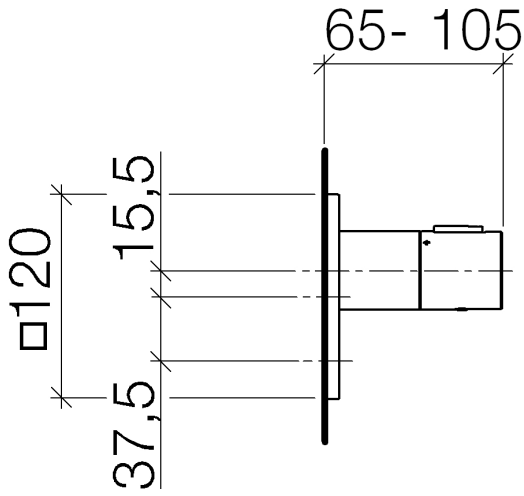
36 416 780 Product version from 1/1/2022



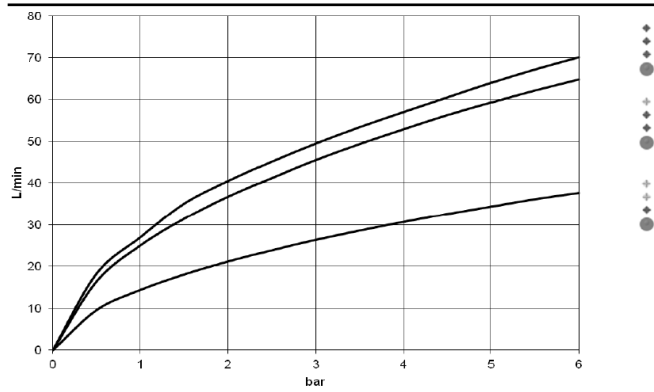
- cover plate 120 x 120 mm
- temperature control handle with safety limit stop at 38°C

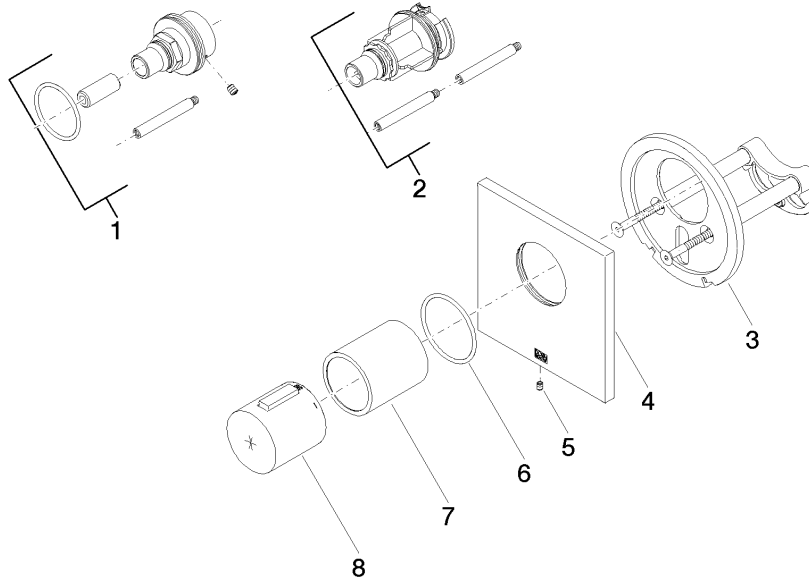
Fits: IMO, MEM, CL.1

36 416 780 Product version from 1/1/2022



Flow rate chart





### Spare parts list

No.	Item Number	Name	Quantity used	Delivery time
1	12 177 970 90	Extension 28 mm -	1	2
2	12 178 970 90	Extension 46 mm -	1	2
3	90 11 01 196 00 90	base	1	2
4	90 11 02 533 00-33	cover	1	30
5	09 31 11 044 90	pin	1	2
6	90 14 10 049 00 90	seal	1	2
7	90 21 02 112 00-33	sleeve	1	30
8	90 17 33 020 00-33	handle	1	30