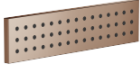



36 517 979 Product version from 5/16/2020



- HORIZONTAL RAIN, max. flow rate 6 l/min (at 3 bar)
- with anti-scale system
- cover plate 240 x 60 mm
- 1/2" connection
- This product can help a building meet the requirements of Green Building Rating Systems, e.g. LEED®, BREEAM®, DGNB
- WRAS

Fits: IMO, LULU, MADISON, MEM, TARA, CL.1, LISSÉ, VAIA, META, CYO

	Brushed Bronze	36 517 979-42
	Chrome	36 517 979-00
	Brushed Platinum	36 517 979-06
	Platinum	36 517 979-08
	Dark Chrome	36 517 979-19
	Light Gold	36 517 979-26
	Brushed Light Gold	36 517 979-27
	Brushed Durabrass (23kt Gold)	36 517 979-28
	Matte Black	36 517 979-33
	Brushed Champagne (22kt Gold)	36 517 979-46
	Champagne (22kt Gold)	36 517 979-47
	Brushed Chrome	36 517 979-93
	Brushed Dark Platinum	36 517 979-99

Required miscellaneous



- Concealed wall installation box - 35 206 970 90**
- min. recess depth mm
 - max. recess depth mm

Recommended miscellaneous



- xGRID Attachment set for integrating in the dry wall construction - 12 340 970 90**

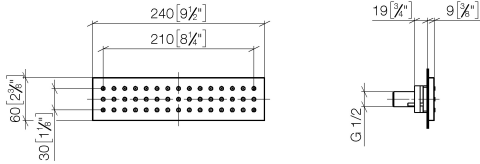
Required miscellaneous



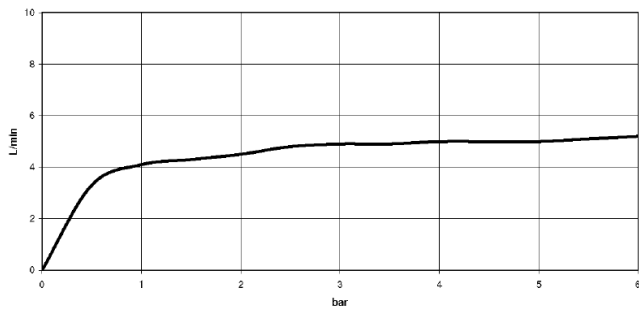
- xGRID Installation track 555 mm - 12 360 970 90**

36 517 979 Product version from 5/16/2020

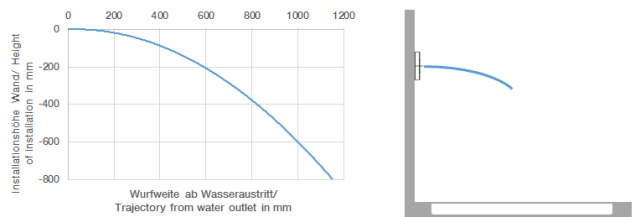
mm [inches]



Flow rate chart



Trajectory diagram



Codes & Standards

DIN 4109

ISO 3822

Ü-Zeichen



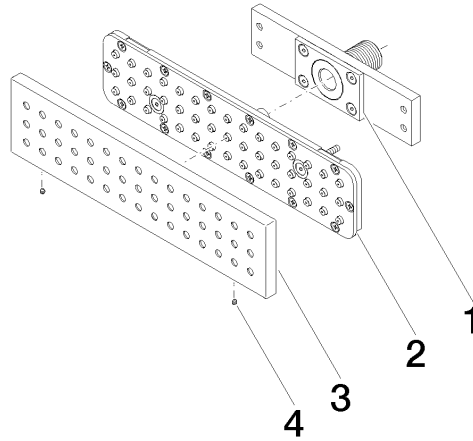
WATER BAR Concealed body spray FlowReduce - Brushed Bronze

IMO

36 517 979 Product version from 5/16/2020

Certificates

LGA_19



Spare parts list

No.	Item Number	Name	Quantity used	Delivery time
1	90 11 02 137 00 90	connection	1	2
2	90 11 02 332 00-00	insert	1	10
3	09 27 99 001-42	rosette	1	60
4	09 31 11 081 90	pin	1	2