

WATER BAR Concealed body spray - Platinum

IMO

36 527 979



- HORIZONTAL RAIN, max. flow rate 9 l/min (at 3 bar)
- with anti-scale system
- cover plate 240 x 60 mm
- 1/2" connection

Fits: IMO, LULU, MADISON, MEM, TARA, CL.1, LISSÉ, VAIA, META, CYO

| | | |
|-------------------------------------------------------------------------------------|-------------------------------|---------------|
|  | Platinum | 36 527 979-08 |
|  | Chrome | 36 527 979-00 |
|  | Brushed Platinum | 36 527 979-06 |
|  | Dark Chrome | 36 527 979-19 |
|  | Light Gold | 36 527 979-26 |
|  | Brushed Light Gold | 36 527 979-27 |
|  | Brushed Durabrass (23kt Gold) | 36 527 979-28 |
|  | Matte Black | 36 527 979-33 |
|  | Brushed Bronze | 36 527 979-42 |
|  | Brushed Champagne (22kt Gold) | 36 527 979-46 |
|  | Champagne (22kt Gold) | 36 527 979-47 |
|  | Brushed Chrome | 36 527 979-93 |
|  | Brushed Dark Platinum | 36 527 979-99 |

Required miscellaneous



- Concealed wall installation box -** 35 206 970 90
- max. recess depth 173 mm
 - min. recess depth 100 mm

Recommended miscellaneous



- xGRID Attachment set for integrating in the dry wall construction -** 12 340 970 90

Required miscellaneous



- xGRID Installation track 555 mm -** 12 360 970 90

36 527 979

mm [inches]



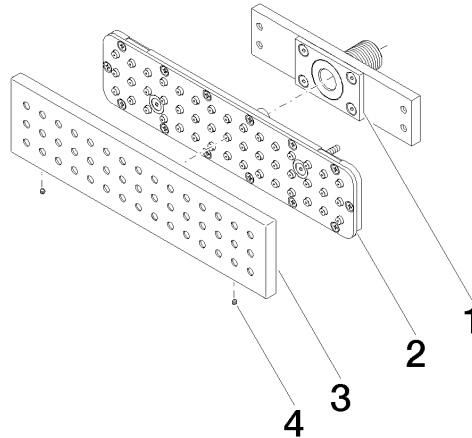
Flow rate chart



Certificates

LGA_38672.

36 527 979



Spare parts list

| No. | Item Number | Name | Quantity used | Delivery time |
|-----|--------------------|------------|---------------|---------------|
| 1 | 90 11 02 137 00 90 | connection | 1 | 2 |
| 2 | 90 11 02 332 01-00 | insert | 1 | 10 |
| 3 | 09 27 99 001-08 | rosette | 1 | 40 |
| 4 | 09 31 11 006 90 | pin | 2 | 2 |