

**Wall valve anti-clockwise closing hot 1/2" - Brushed Durabronz (23kt Gold)**

CL.1

36 607 717



- rosette 60 x 60 mm
- with hot marking
- head part with cut-to-length spindle and sleeve

Fits: CL.1, CYO

|   |                               |               |
|---|-------------------------------|---------------|
|  | Brushed Durabronz (23kt Gold) | 36 607 717-28 |
|  | Chrome                        | 36 607 717-00 |
|  | Brushed Platinum              | 36 607 717-06 |
|  | Brushed Champagne (22kt Gold) | 36 607 717-46 |
|  | Champagne (22kt Gold)         | 36 607 717-47 |
|  | Brushed Dark Platinum         | 36 607 717-99 |

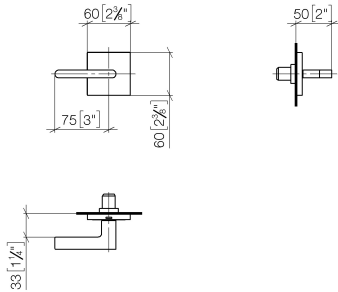
**Required miscellaneous**



- Wall valve 1/2" -** 35 607 970 90
- max. recess depth 150 mm
  - min. recess depth 105 mm

36 607 717

mm [inches]



Certificates

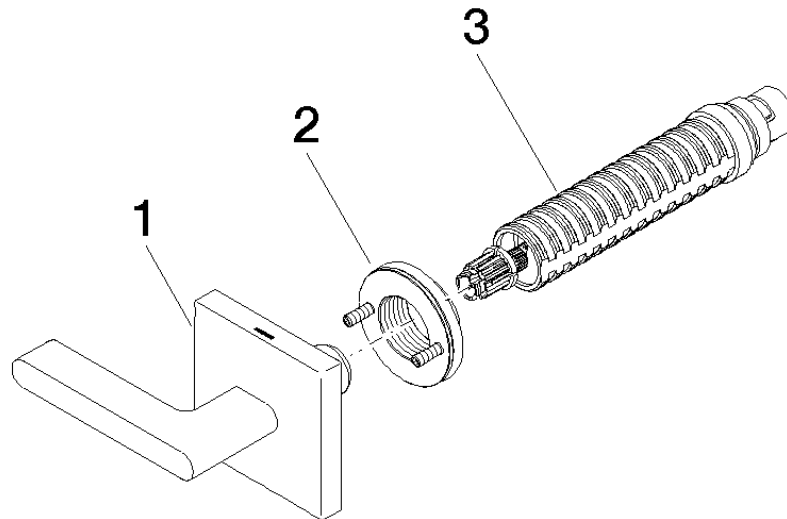
DVGW\_DW-  
6501DN0116.

LGA\_29931.

WRAS\_2010066.

LGA\_29932.

36 607 717



### Spare parts list

| No. | Item Number        | Name           | Quantity used | Delivery time |
|-----|--------------------|----------------|---------------|---------------|
| 1   | 90 20 70 057 05-28 | handle ( hot ) | 1             | 20            |
| 2   | 90 21 02 108 00 90 | disc           | 1             | 2             |
| 3   | 90 90 03 142 00 90 | top            | 1             | 2             |