

SYMETRICS Wall valve anti-clockwise closing 1/2" - Brushed Durabross (23kt Gold)

IMO

36 607 985

- rosette 60 x 60 mm
- head part with cut-to-length spindle and sleeve



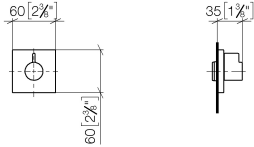
	Brushed Durabross (23kt Gold)	36 607 985-28
	Chrome	36 607 985-00
	Brushed Platinum	36 607 985-06
	Platinum	36 607 985-08
	Brushed Light Gold	36 607 985-27
	Brushed Chrome	36 607 985-93
	Brushed Dark Platinum	36 607 985-99

Required miscellaneous

- Wall valve 1/2" -** 35 607 970 90
 - max. recess depth 145 mm
 - min. recess depth 75 mm



36 607 985
mm [inches]



Certificates

DVGW_DW-
6501DN0116.
LGA_29932.

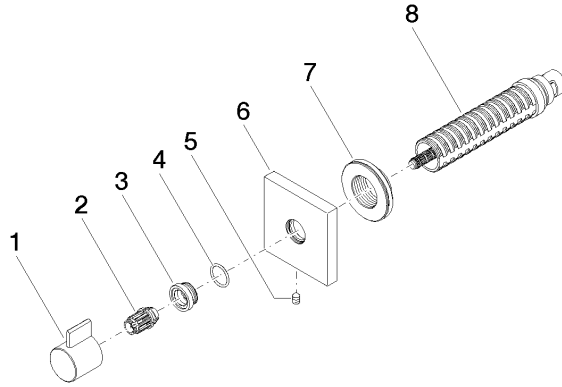
WRAS_2011026.

LGA_29931.

WRAS_2010066.

DVGW_DW-
6512DN0706.

36 607 985



Spare parts list

No.	Item Number	Name	Quantity used	Delivery time
1	09 20 98 002-28	handle	1	20
2	09 12 12 005 90	fixing cap	1	2
3	09 12 12 043-28	base	1	20
4	09 14 10 017 90	seal	1	2
5	90 31 11 004 00 90	pin	1	2
6	09 27 98 014-28	rosette	1	20
7	09 21 02 151 90	sleeve	1	2
8	90 90 03 202 00 90	top	1	2