

SYMETRICS Wall valve anti-clockwise closing 3/4" - Brushed Chrome

IMO


36 608 985



- rosette 60 x 60 mm
- head part with cut-to-length spindle and sleeve

	Brushed Chrome	36 608 985-93
	Chrome	36 608 985-00
	Brushed Platinum	36 608 985-06
	Platinum	36 608 985-08
	Dark Chrome	36 608 985-19
	Brushed Light Gold	36 608 985-27
	Brushed Durabronze (23kt Gold)	36 608 985-28
	Matte Black	36 608 985-33
	Brushed Dark Platinum	36 608 985-99

Required miscellaneous

	Wall valve 3/4" - •min. recess depth 75 mm •max. recess depth 145 mm	35 608 970 90
--	---	---------------

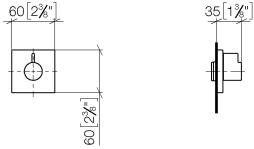


SYMETRICS Wall valve anti-clockwise closing 3/4" - Brushed Chrome

IMO

36 608 985

mm [inches]



Codes & Standards

ASME A112.18.1

cUPC

Scottish Water
Byelaws

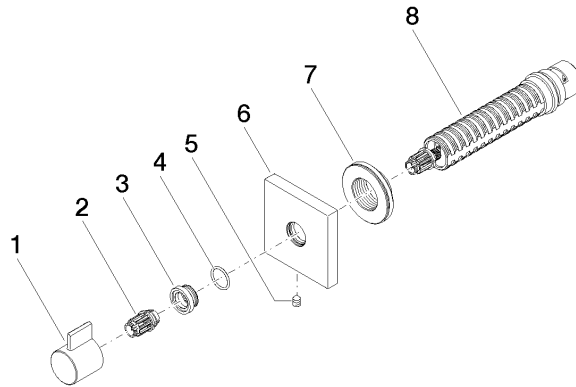
UK Water Supply
Regulations

Certificates

WRAS_2010

IAPMO_4976

36 608 985





SYMETRICS Wall valve anti-clockwise closing 3/4" - Brushed Chrome

IMO

36 608 985

Spare parts list