

36 712 809



- 190mm projection
- fixed spout
- circular, air-enriched flow
- hole diameter valve 37 mm
- hole diameter spout 40 mm
- rosettes Ø 60 mm
- max. flow 5.7 l/min
- lead-free
- This product can help a building meet the requirements of Green Building Rating Systems, e.g. LEED®, BREEAM®, DGNB
- WRAS 2312073

| | | |
|---|-------------------------------|---------------|
|  | Brushed Dark Platinum | 36 712 809-99 |
|  | Chrome | 36 712 809-00 |
|  | Brushed Platinum | 36 712 809-06 |
|  | Platinum | 36 712 809-08 |
|  | Dark Chrome | 36 712 809-19 |
|  | Brushed Durabross (23kt Gold) | 36 712 809-28 |
|  | Brushed Bronze | 36 712 809-42 |
|  | Brushed Champagne (22kt Gold) | 36 712 809-46 |
|  | Champagne (22kt Gold) | 36 712 809-47 |

Required miscellaneous



- Concealed wall-mounted mixer centred spout -** 35 700 970 90
- max. recess depth 145 mm
 - min. recess depth 85 mm

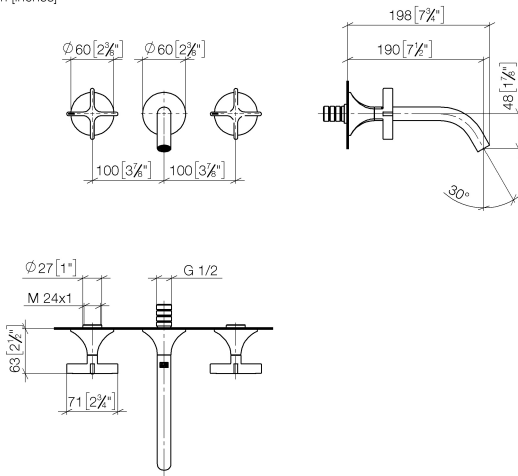
Required miscellaneous



- Concealed wall-mounted mixer variable positioning -** 35 720 970 90
- max. recess depth 145 mm
 - min. recess depth 85 mm

36 712 809

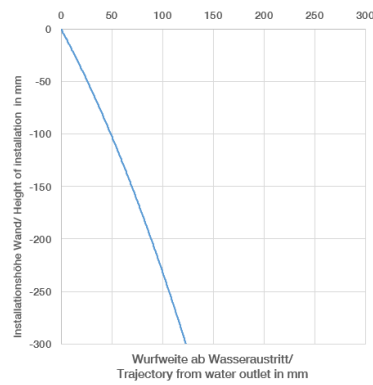
mm [inches]



Flow rate chart



Trajectory diagram



Codes & Standards

DIN 4109

ISO 3822

Scottish Water
Byelaws

UK Water Supply
Regulations

Ü-Zeichen



VAIA Wall-mounted basin mixer without pop-up waste - Brushed Dark Platinum

VAIA

36 712 809

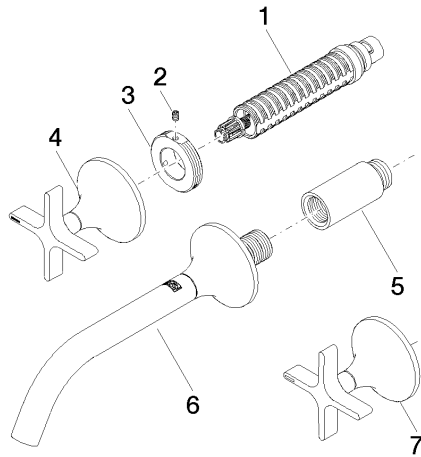
Certificates

LGA_29

WRAS_2312

36 712 809

Product version from 3/13/2017





VAIA Wall-mounted basin mixer without pop-up waste - Brushed Dark Platinum

VAIA

36 712 809

Spare parts list

Product version from 3/13/2017

| No. | Item Number | Name | Quantity used | Delivery time |
|-----|--------------------|------|---------------|---------------|
| | 90 90 03 157 00 90 | top | 10 | 2 |