

36 712 819



- 190mm projection
- fixed spout
- circular, air-enriched flow
- hole diameter valve 37 mm
- hole diameter spout 40 mm
- rosettes Ø 60 mm
- max. flow 5.7 l/min
- lead-free
- This product can help a building meet the requirements of Green Building Rating Systems, e.g. LEED®, BREEAM®, DGNB
- WRAS 2312073

	Chrome	36 712 819-00
	Brushed Platinum	36 712 819-06
	Platinum	36 712 819-08
	Dark Chrome	36 712 819-19
	Brushed Durabronze (23kt Gold)	36 712 819-28
	Brushed Bronze	36 712 819-42
	Brushed Champagne (22kt Gold)	36 712 819-46
	Champagne (22kt Gold)	36 712 819-47
	Brushed Dark Platinum	36 712 819-99

Required miscellaneous



Concealed wall-mounted mixer centred spout - 35 700 970 90
 • max. recess depth 145 mm
 • min. recess depth 85 mm

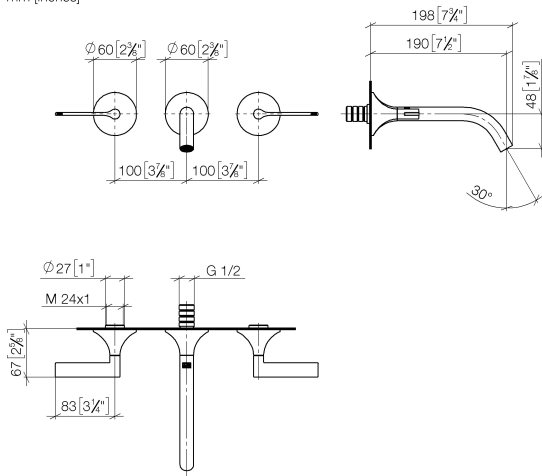
Required miscellaneous



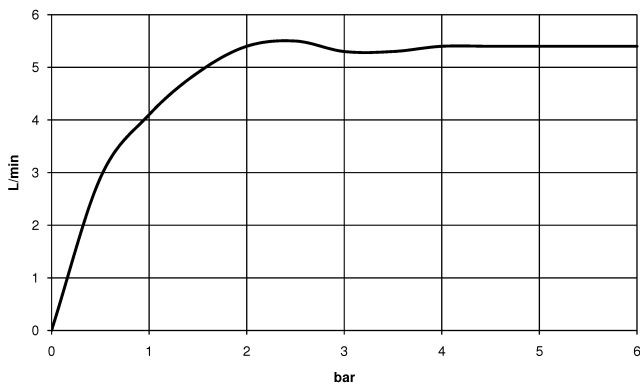
Concealed wall-mounted mixer variable positioning - 35 720 970 90
 • max. recess depth 145 mm
 • min. recess depth 85 mm

36 712 819

mm [inches]



Flow rate chart



Codes & Standards

DIN 4109

ISO 3822

Scottish Water
Byelaws

UK Water Supply
Regulations

Ü-Zeichen



VAIA Wall-mounted basin mixer without pop-up waste - Chrome

VAIA

36 712 819

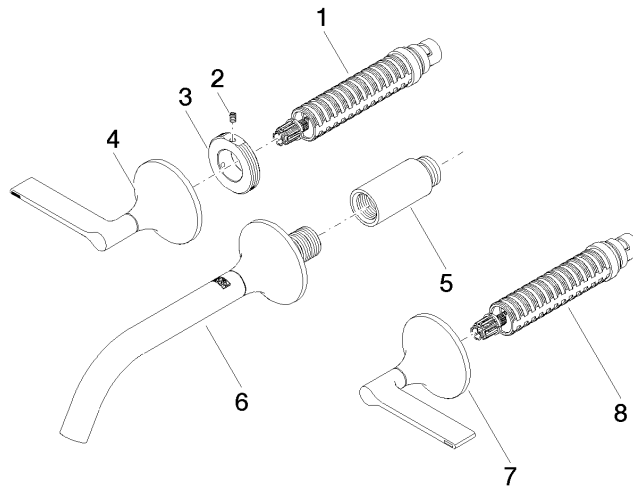
Certificates

LGA_29

WRAS_2312

36 712 819

Product version from 3/13/2017





VAIA Wall-mounted basin mixer without pop-up waste - Chrome

VAIA

36 712 819

Spare parts list

Product version from 3/13/2017

No.	Item Number	Name	Quantity used	Delivery time
	90 90 03 156 00 90	top	10	2