

36 712 819

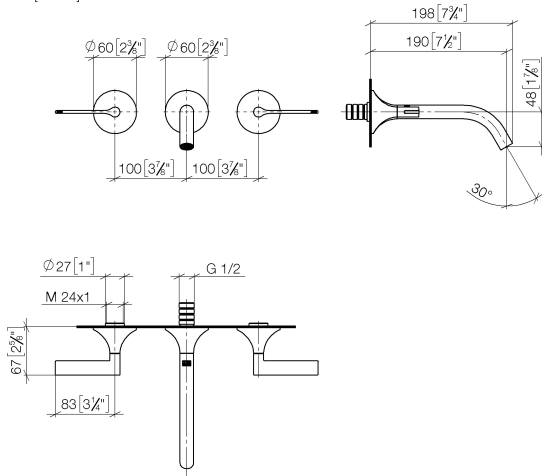


- 190mm projection
- fixed spout
- circular, air-enriched flow
- hole diameter valve 37 mm
- hole diameter spout 40 mm
- rosettes Ø 60 mm
- max. flow 5.7 l/min
- lead-free
- This product can help a building meet the requirements of Green Building Rating Systems, e.g. LEED®, BREEAM®, DGNB
- WRAS 2312073

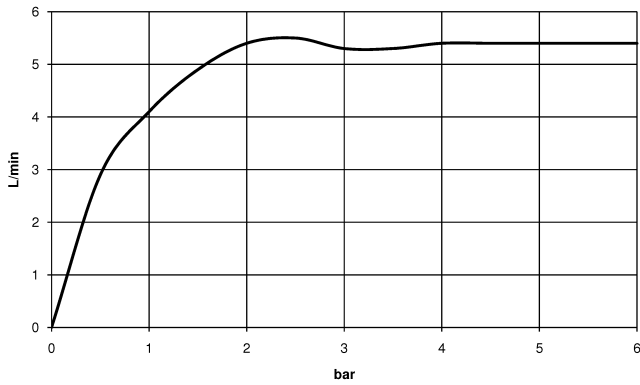
	Dark Chrome	36 712 819-19
	Chrome	36 712 819-00
	Brushed Platinum	36 712 819-06
	Platinum	36 712 819-08
	Brushed Durabronze (23kt Gold)	36 712 819-28
	Brushed Bronze	36 712 819-42
	Brushed Champagne (22kt Gold)	36 712 819-46
	Champagne (22kt Gold)	36 712 819-47
	Brushed Dark Platinum	36 712 819-99

36 712 819

mm [inches]



Flow rate chart



Codes & Standards

DIN 4109

ISO 3822

Scottish Water
Byelaws

UK Water Supply
Regulations

Ü-Zeichen



VAIA Wall-mounted basin mixer without pop-up waste - Dark Chrome

VAIA

36 712 819

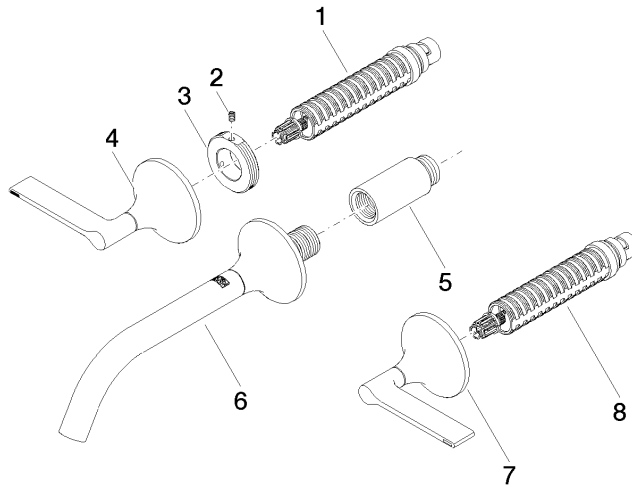
Certificates

LGA_29

WRAS_2312

36 712 819

Parts for other finishes can be found here: [Chrome](#)





VAIA Wall-mounted basin mixer without pop-up waste - Dark Chrome

VAIA

36 712 819

Spare parts list