

36 805 782



- 185mm projection
- fixed spout
- rectangular, air-enriched flow
- hole diameter 35 mm
- rosette Ø 60 mm
- max. flow 5.7 l/min
- lead-free
- with single-point mounting
- This product can help a building meet the requirements of Green Building Rating Systems, e.g. LEED®, BREEAM®, DGNB
- WRAS 240102019

	Platinum	36 805 782-08
	Chrome	36 805 782-00
	Brushed Platinum	36 805 782-06
	Dark Chrome	36 805 782-19
	Brushed Durabronze (23kt Gold)	36 805 782-28
	Brushed Champagne (22kt Gold)	36 805 782-46
	Champagne (22kt Gold)	36 805 782-47
	Brushed Dark Platinum	36 805 782-99

**Required miscellaneous**

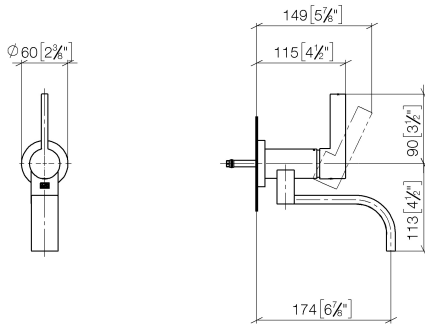


- Concealed wall mounting -**
- max. recess depth 105 mm
  - min. recess depth 80 mm

35 050 970 90

36 805 782

mm [inches]



Flow rate chart

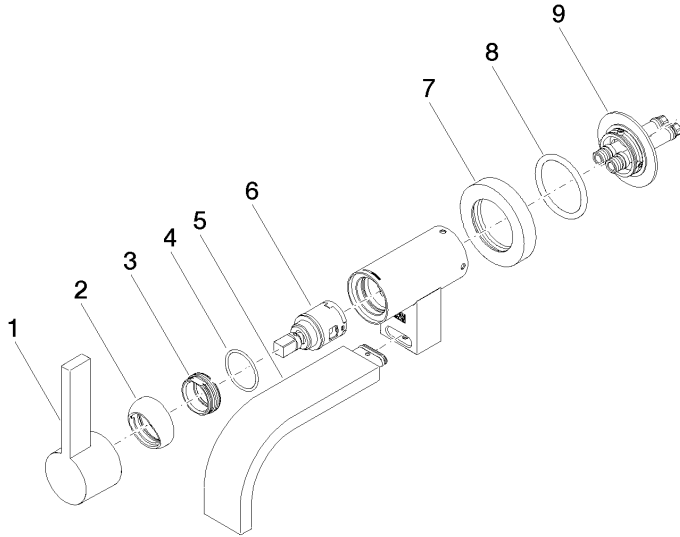


Certificates

LGA\_38454.

WRAS\_240102019.

36 805 782



**Spare parts list**

No.	Item Number	Name	Quantity used	Delivery time
1	90 20 87 003 00-08	handle	1	-
Spare part can no longer be ordered, please order the replacement item				
2	09 28 30 043-08	cover	1	40
3	09 24 04 266 90	nut	1	2
4	09 14 10 120 90	seal	1	2
5	90 28 22 361 00-08	spout	1	-
Spare part can no longer be ordered, please order the replacement item				
6	90 15 05 042 00 90	cartridge	1	2
7	09 27 89 004-08	rosette	1	40
8	09 14 10 041 90	seal	1	2
9	90 30 11 296 00 90	flange	1	2