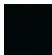




**EDITION PRO Wall-mounted single-lever basin mixer without pop-up waste -
Matte Black**

36 810 626



- 170mm projection
- fixed spout
- circular, air-enriched flow
- hole diameter spout 37 mm
- hole diameter single-lever mixer 57 mm
- rosette for spout Ø 55mm
- rosette for mixer Ø 78mm
- max. flow 7 l/min
- lead-free

	Matte Black	36 810 626-33
	Chrome	36 810 626-00
	Brushed Chrome	36 810 626-93

Required miscellaneous

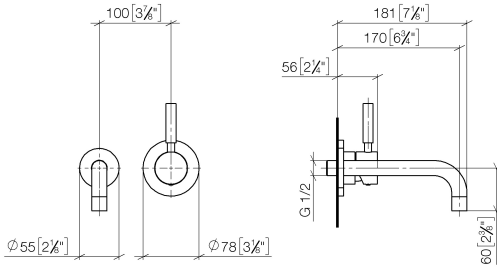


- EDITION PRO Concealed wall-mounted single-lever mixer mixer on right -** 35 870 970 90
- max. recess depth 95 mm
 - min. recess depth 80 mm

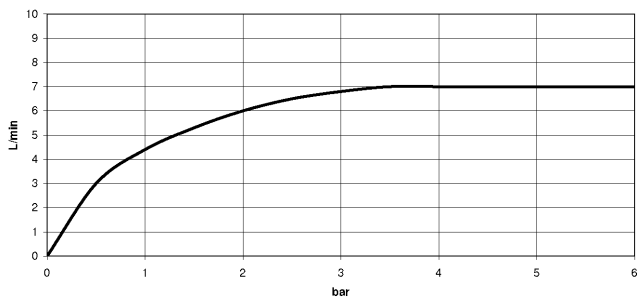


EDITION PRO Wall-mounted single-lever basin mixer without pop-up waste - Matte Black

36 810 626
mm [inches]



Flow rate chart

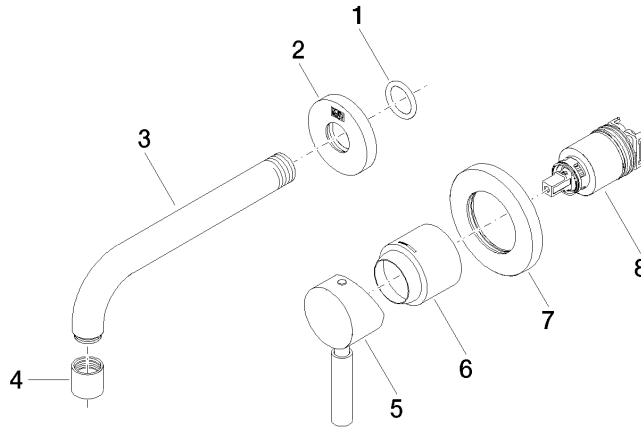


Certificates

WRAS_2107048. LGA_9280.

**EDITION PRO Wall-mounted single-lever basin mixer without pop-up waste -
Matte Black**

36 810 626



Spare parts list

No.	Item Number	Name	Quantity used	Delivery time
1	90 14 10 026 00 90	seal	1	2
2	09 27 22 503-33	rosette	1	30
3	04 28 22 115 10-33	spout	1	30
4	90 23 01 019 00-33	aerator	1	30
5	90 20 62 040 00-33	handle	1	30
6	09 11 02 522-33	cover	1	30
7	90 27 62 011 00-33	rosette	1	30
8	90 15 05 064 01 90	cartridge	1	2