

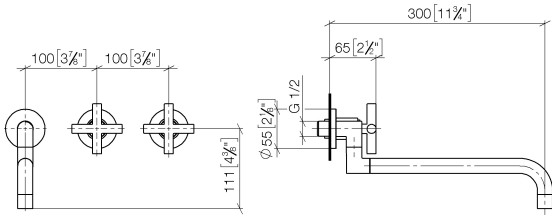
36 818 892



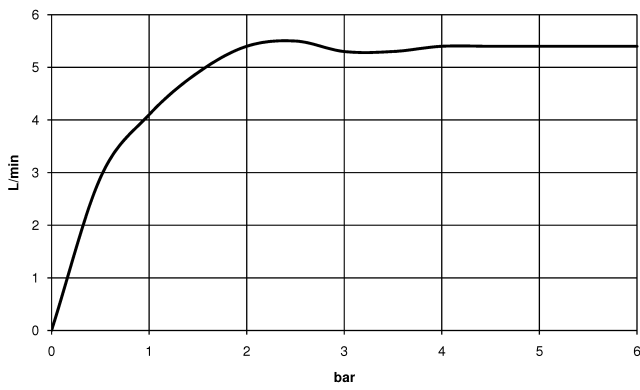
- 300mm projection
- pivoting spout
- air-enriched flow
- slide-on rosettes Ø 55 mm
- max. flow 5.7 l/min at 3 bar flow pressure
- lead-free
- This product can help a building meet the requirements of Green Building Rating Systems, e.g. LEED®, BREEAM®, DGNB

36 818 892

mm [inches]



Flow rate chart



Codes & Standards

ASME A112.18.1

cUPC

DIN 4109

ISO 3822

Ü-Zeichen



TARA Wall-mounted sink mixer - Chrome

TARA

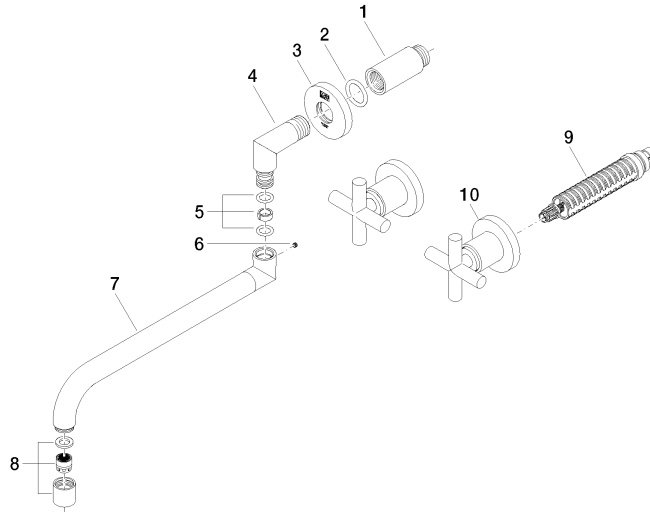
36 818 892

Certificates

IAPMO_4976

LGA_19

36 818 892





TARA Wall-mounted sink mixer - Chrome

TARA

36 818 892

Spare parts list

No.	Item Number	Name	Quantity used	Delivery time
	09 24 03 081 10 90	extension	10	2