

MEM Wall-mounted single-lever basin mixer without pop-up waste - Chrome

36 861 782



- 207mm projection
- fixed spout
- rectangular, air-enriched flow
- hole diameter spout 37 mm
- hole diameter single-lever mixer 57 mm
- rosette for spout 80 x 60mm
- rosette for mixer 80 x 80mm
- max. flow 5.7 l/min
- lead-free
- This product can help a building meet the requirements of Green Building Rating Systems, e.g. LEED®, BREEAM®, DGNB
- WRAS

| | | |
|---|-------------------------------|---------------|
|  | Chrome | 36 861 782-00 |
|  | Brushed Platinum | 36 861 782-06 |
|  | Platinum | 36 861 782-08 |
|  | Dark Chrome | 36 861 782-19 |
|  | Brushed Durabrass (23kt Gold) | 36 861 782-28 |
|  | Brushed Champagne (22kt Gold) | 36 861 782-46 |
|  | Champagne (22kt Gold) | 36 861 782-47 |
|  | Brushed Dark Platinum | 36 861 782-99 |

Required miscellaneous



- Concealed wall-mounted single-lever mixer mixer on right -** 35 816 970 90
- NOTE: Not suitable for concealed installation. Connection by means of angle valves, mounted with screws to back wall.

Required miscellaneous

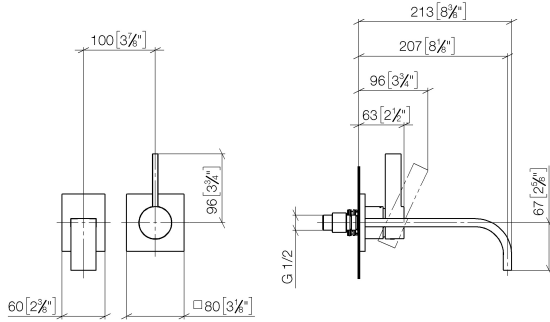


- Concealed wall-mounted single-lever mixer -** 35 860 970 90
- max. recess depth mm
 - min. recess depth mm
 - mixer can be placed above, to the left or to the right of the spout.

MEM Wall-mounted single-lever basin mixer without pop-up waste - Chrome

36 861 782

mm [inches]



Flow rate chart



Codes & Standards

DIN 4109

EN 817

ISO 3822

Scottish Water
Byelaws

UK Water Supply
Regulations

Ü-Zeichen



MEM Wall-mounted single-lever basin mixer without pop-up waste - Chrome

36 861 782

Certificates

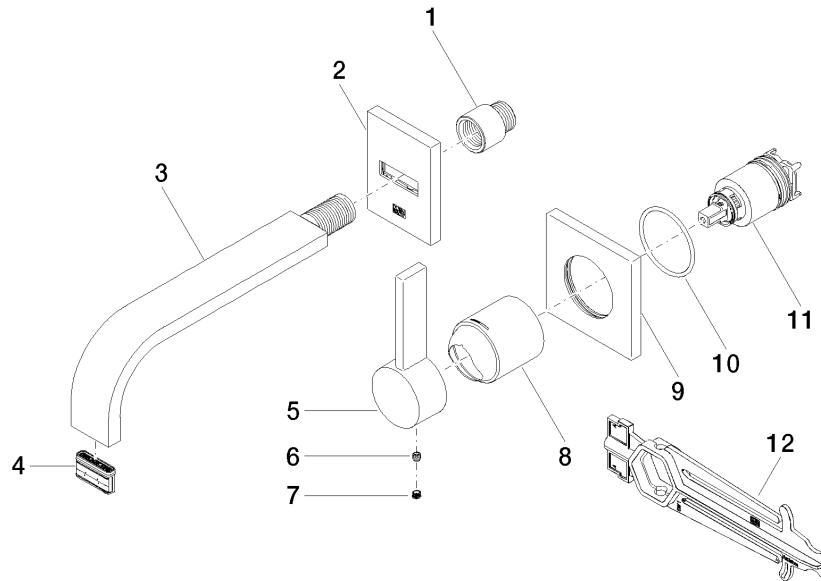
LGA_29

DVGW_DW-
6512DN0

WRAS_2107

MEM Wall-mounted single-lever basin mixer without pop-up waste - Chrome

36 861 782



Spare parts list

| No. | Item Number | Name | Quantity used | Delivery time |
|-----|--------------------|-----------|---------------|---------------|
| 1 | 09 24 03 072 10 90 | nipple | 1 | 2 |
| 2 | 90 27 78 038 00-00 | rosette | 1 | 10 |
| 3 | 04 28 22 149 10-00 | spout | 1 | 10 |
| 4 | 90 29 03 109 00 90 | aerator | 1 | 2 |
| 5 | 09 20 78 058-00 | handle | 1 | 10 |
| 6 | 90 31 11 030 00 90 | pin | 1 | 2 |
| 7 | 90 31 20 109 00 90 | plug | 1 | 2 |
| 8 | 09 11 02 288-00 | cover | 1 | 10 |
| 9 | 09 27 78 039-00 | rosette | 1 | 10 |
| 10 | 90 14 10 049 00 90 | seal | 1 | 2 |
| 11 | 90 15 05 064 01 90 | cartridge | 1 | 2 |
| 12 | 90 30 09 064 00 90 | key | 1 | 2 |