

Single sink - Brushed Stainless Steel

38 450 004



- under-mounted
- 450 x 400 mm
- sink depth 175 mm
- suitable for base units 500 mm
- Radius 15 mm

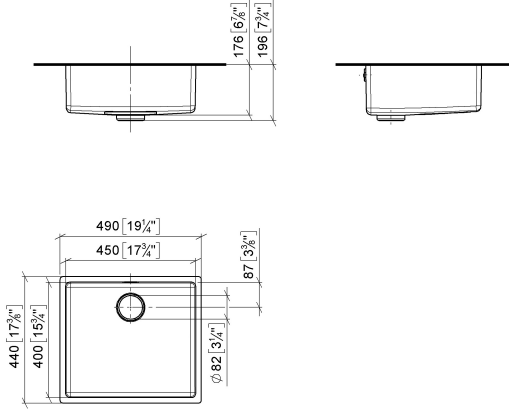
Drain and overflow set not included in the scope of supply. See Required miscellaneous.



Single sink - Brushed Stainless Steel

38 450 004

mm [inches]
1:10



Certificates

Leistungserklärung_ declaration_of_perfo
DOD rmance_DOD