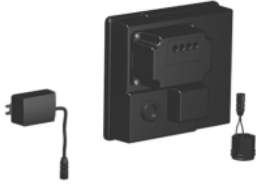


42 766 970 90 Product version from 5/18/2021



Fits: IMO, LULU, MADISON, MEM, TARA, CL.1, LISSÉ, VAIA, META, CYO

- automatic hygiene flush
- suitable for thermal disinfection
- adjustable follow-up time
- high-frequency sensors with self-calibration
- magnetic valve
- 100-240 V AC / 12 V DC, 50-60 Hz, 18 W power supply unit, incl. country-specific adapter set
- WRAS

Cannot be combined with basins in conducting materials (e.g. steel, river stone).

Cannot be combined with basins that have a closing drain.

ATTENTION: Separate terms and conditions for electronic articles are applicable.

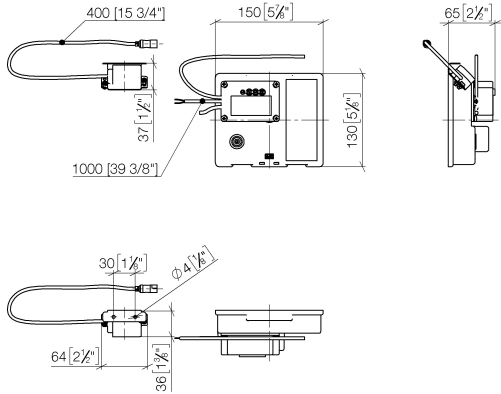
### Recommended miscellaneous

**Extension for Touchfree 500 mm - 12 765 970 90**



42 766 970 90 Product version from 5/18/2021

mm [inches]

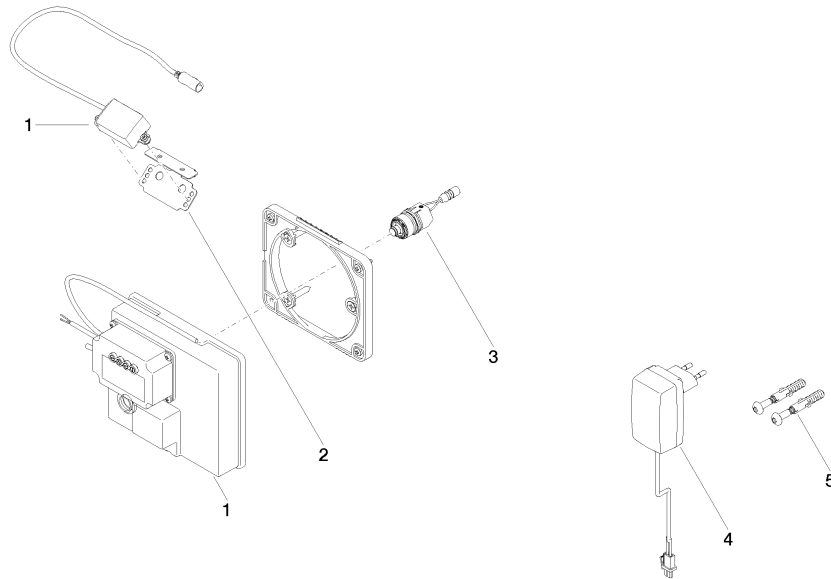


**Codes & Standards**

CSA C22.2 No. 14	CSA C22.2 No. 68	DIN 4109	ISO 3822
Scottish Water Byelaws	UK Water Supply Regulations	UL 1951	Ü-Zeichen

**Certificates**

LGA_29	WRAS_1906	IAPMO_	CE000001_eSet_Tou chfree_20171206_D E_sig	CE000002_eSet_Tou chfree_20171206_E N_sig
LGA_29				



### Spare parts list

No.	Item Number	Name	Quantity used	Delivery time
1	90 10 01 177 00 90	electronic accessories	1	2
2	90 17 20 199 00 90	holder	1	2
3	04 30 50 079 00 90	valve	1	2
4	04 10 01 246 00 90	electronic accessories	1	2
5	04 30 31 024 01 90	fixing set	1	2