

CYO eSET Touchfree Basin mixer without pop-up waste without temperature setting - Chrome

CYO

ST 010 107 2R11



- 167mm projection
  - fixed spout
  - rectangular, air-enriched flow
  - height of mixer 198 mm
  - height up to aerator 133 mm
  - 1/2" connection
  - hole diameter 35 mm
  - 2x 1/2" x 1/2" high pressure hose
  - max. flow 4.5 l/min
  - lead-free
  - automatic hygiene flush
  - suitable for thermal disinfection
  - adjustable follow-up time
  - high-frequency sensors with self-calibration
  - magnetic valve
  - 100-240 V AC / 12 V DC, 50-60 Hz, 18 W power supply unit, incl. country-specific adapter set
  - This product can help a building meet the requirements of Green Building Rating Systems, e.g. LEED®, BREEAM®, DGNB
- Cannot be combined with basins in conducting materials (e.g. steel, river stone).**  
**Cannot be combined with basins that have a closing drain.**  
**ATTENTION: Separate terms and conditions for electronic articles are applicable.**

Individual components of this set

You need the following components for this set



1x 42 766 970 90



1x 13 717 811-00



CYO eSET Touchfree Basin mixer without pop-up waste without temperature setting - Chrome

---

CYO

ST 010 107 2811

**CYO eSET Touchfree Basin mixer without pop-up waste without temperature setting - Chrome**

CYO

ST 010 107 2R11



Fits: IMO, LULU, MADISON, MEM, TARA, CL.1, LISSÉ, VAIA, META, CYO

- automatic hygiene flush
  - suitable for thermal disinfection
  - adjustable follow-up time
  - high-frequency sensors with self-calibration
  - magnetic valve
  - 100-240 V AC / 12 V DC, 50-60 Hz, 18 W power supply unit, incl. country-specific adapter set
- Cannot be combined with basins in conducting materials (e.g. steel, river stone).  
Cannot be combined with basins that have a closing drain.**  
**ATTENTION: Separate terms and conditions for electronic articles are applicable.**

Cannot be combined with basins in conducting materials (e.g. steel, river stone).

Cannot be combined with basins that have a closing drain.

ATTENTION: Separate terms and conditions for electronic articles are applicable.

**Required miscellaneous**



**eSET Touchfree Basin mixer without temperature setting for combining with free-standing fittings -**

35 742 970 90

**Required miscellaneous**



**eSET Touchfree Basin mixer without temperature setting for combining with wall-mounted fittings -**

35 743 970 90

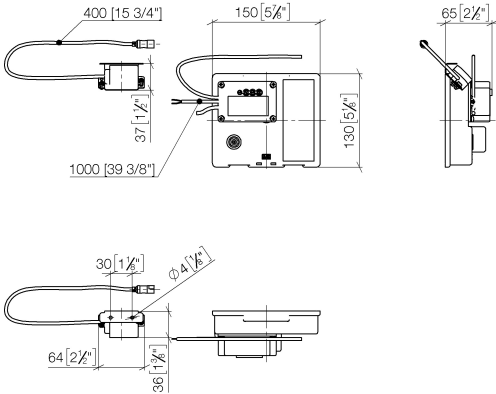
- min. recess depth 90 mm
- max. recess depth 125 mm

**Recommended miscellaneous**

**Extension for Touchfree 500 mm - 12 765 970 90**



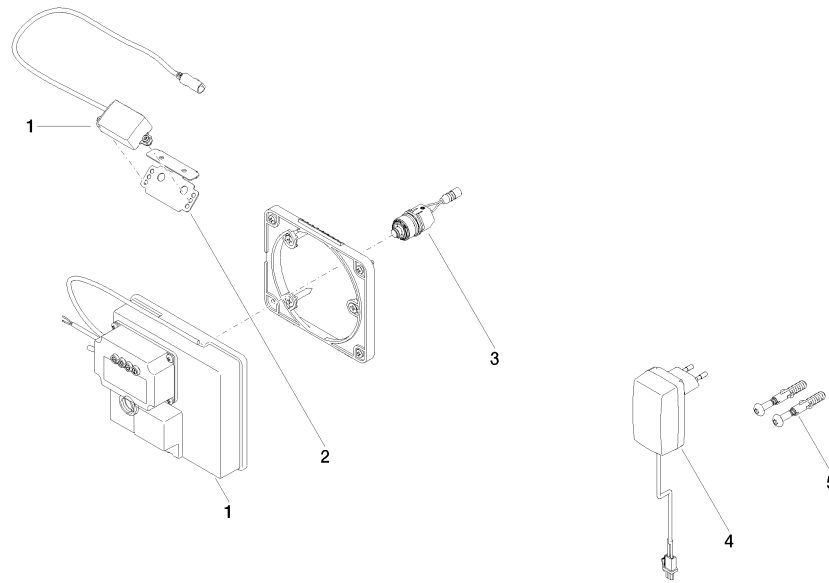
ST 010 107 2R11  
mm [inches]



**Certificates**

LGA_29120.	WRAS_1906116.	IAPMO_EGS.	CE000001_eSet_Tou chfree_20171206_D E_signed.	CE000002_eSet_Tou chfree_20171206_E N_signed.
LGA_29119.				

ST 010 107 2R11



**Spare parts list**

No.	Item Number	Name	Quantity used	Delivery time
1	90 10 01 177 00 90	electronic accessories	1	2
2	90 17 20 199 00 90	holder	1	2
3	04 30 50 079 00 90	valve	1	2
4	04 10 01 050 00 90	power supply	1	60
5	04 30 31 024 01 90	fixing set	1	2





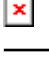

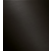
**CYO eSET Touchfree Basin mixer without pop-up waste without temperature setting - Chrome**

CYO

ST 010 107 2811



- 167mm projection
- fixed spout
- rectangular, air-enriched flow
- height of mixer 198 mm
- height up to aerator 133 mm
- hole diameter 35 mm
- 2x 1/2" x 1/2" high pressure hose
- max. flow 4.5 l/min
- lead-free
- This product can help a building meet the requirements of Green Building Rating Systems, e.g. LEED®, BREEAM®, DGNB

	Chrome	13 717 811-00
	Brushed Platinum	13 717 811-06
	Dark Chrome	13 717 811-19
	Brushed Durabronze (23kt Gold)	13 717 811-28
	Platinum / Brushed Platinum	13 717 811-36
	Durabronze / Brushed Durabronze (23kt Gold)	13 717 811-38
	Brushed Dark Platinum	13 717 811-99



CYO eSET Touchfree Basin mixer without pop-up waste without temperature setting - Chrome

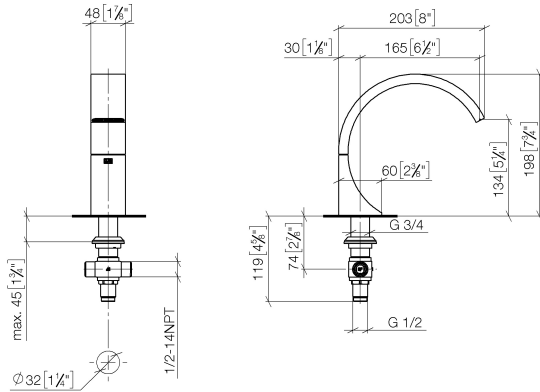
---

CYO

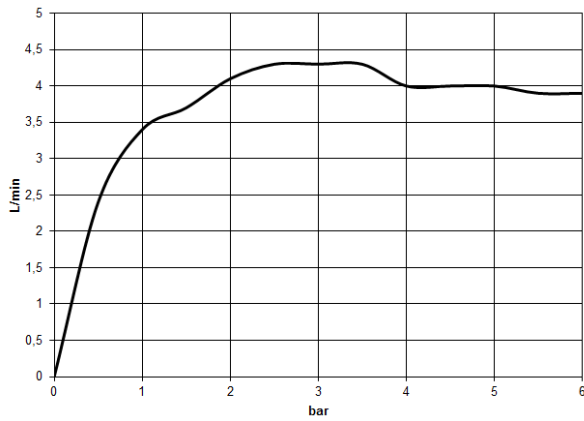
ST 010 107 2811

ST 010 107 2R11

mm [inches]



**Flow rate chart**



**Certificates**

LGA\_38115.

WRAS\_2107093.

IAPMO\_8834 (2).

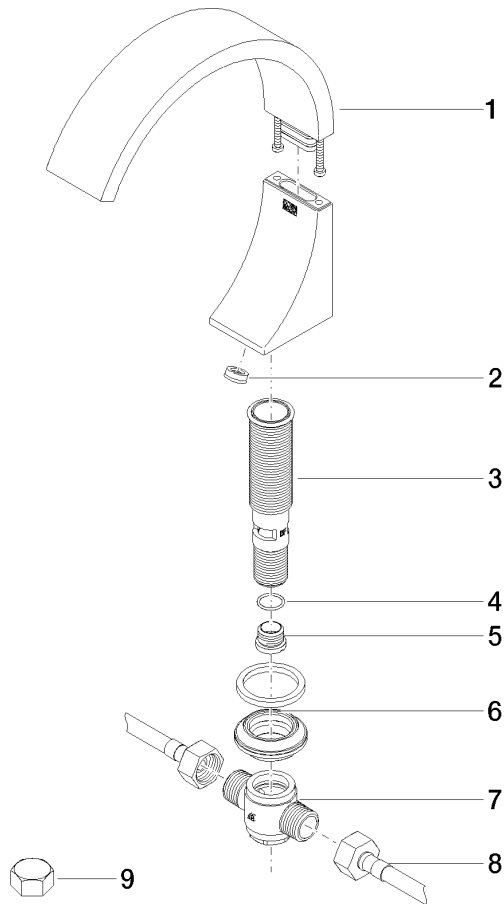
IAPMO\_N-4976.

IAPMO\_4976 (6).

IAPMO\_6397.



ST 010 107 2R11



**Spare parts list**

No.	Item Number	Name	Quantity used	Delivery time
1	90 11 70 013 00-00	spout	1	10
2	09 23 01 163 90	flow reducer	1	2
3	90 30 01 033 00 90	base	1	2
4	09 14 10 017 90	seal	1	2
5	09 24 04 021 10 90	nipple	1	2
6	04 23 10 044 09 90	fixing set	1	2
7	90 17 11 020 10 90	distributor	1	2
8	04 30 04 096 00 90	hose	2	2
9	04 21 02 006 00 92	cap	2	2