

**MEM Bath cascade spout without diverter for deck mounting - Brushed
Champagne (22kt Gold)**

MEM

13 630 740



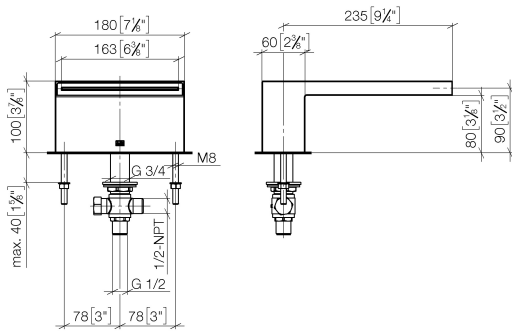
- 235mm projection
- cascade
- height of mixer 100 mm
- height up to aerator 80 mm
- hole diameter 32 mm
- 1/2" connection
- max. flow 26.5 l/min at 3 bar flow pressure
- WRAS 240502023, 1809016

| | | |
|---|-------------------------------------|---------------|
|  | Brushed Champagne (22kt Gold) | 13 630 740-46 |
|  | Chrome | 13 630 740-00 |
|  | Brushed Platinum | 13 630 740-06 |
|  | Platinum | 13 630 740-08 |
|  | Dark Chrome | 13 630 740-19 |
|  | Brushed Durabronze (23kt Gold) | 13 630 740-28 |
|  | Champagne (22kt Gold) | 13 630 740-47 |
|  | Brushed Dark Platinum | 13 630 740-99 |

**MEM Bath cascade spout without diverter for deck mounting - Brushed
Champagne (22kt Gold)**

MEM

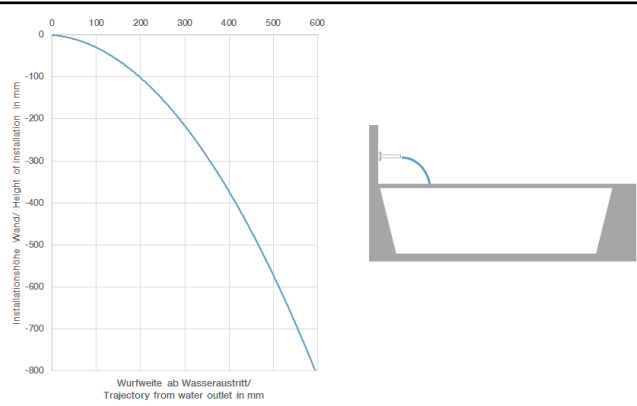
13 630 740
mm [inches]



Flow rate chart



Trajectory diagram



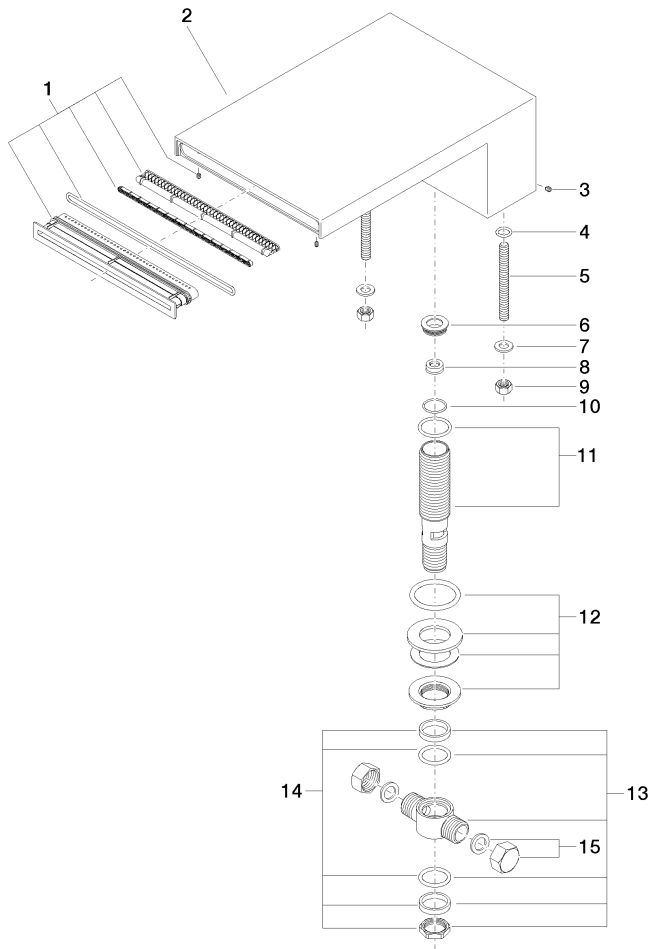
Certificates

WRAS_240502023.

**MEM Bath cascade spout without diverter for deck mounting - Brushed
Champagne (22kt Gold)**

MEM

13 630 740
Parts for other
finishes can be found
here: [Chrome](#)



Spare parts list

| No. | Item Number | Name | Quantity used | Delivery time |
|-----|--------------------|--------------|---------------|---------------|
| 1 | 90 29 03 059 00 90 | insert | 1 | 2 |
| 2 | 09 11 74 040-46 | spout | 1 | 30 |
| 3 | 09 31 11 044 90 | pin | 1 | 2 |
| 4 | 09 14 10 008 90 | seal | 2 | 2 |
| 5 | 09 31 11 011 90 | pin | 2 | 2 |
| 6 | 09 24 04 246 20 90 | nipple | 1 | 2 |
| 7 | 09 30 11 045 90 | disc | 2 | 2 |
| 8 | 09 23 01 057 90 | flow reducer | 1 | 2 |
| 9 | 09 23 10 023 90 | nut | 2 | 2 |
| 10 | 09 14 10 140 90 | seal | 1 | 2 |
| 11 | 90 30 01 033 00 90 | base | 1 | 2 |
| 12 | 04 23 10 004 04 90 | fixing set | 1 | 2 |
| 13 | 90 17 11 020 10 90 | distributor | 1 | 2 |
| 14 | 90 23 10 012 00 90 | gasket kit | 1 | 2 |
| 15 | 04 21 02 006 00 92 | cap | 2 | 2 |