

SYMETRICS Wall-mounted basin spout without pop-up waste - Brushed Platinum

13 800 740 Product version from 7/1/2016



- 125mm projection
- fixed spout
- rectangular, air-enriched flow
- hole diameter 37 mm
- 1/2" connection
- plug-link mounting
- max. flow 5 l/min
- lead-free

The mounting height from the top edge of the basin to the centre of the connection should be at least 125 mm. The front edge of the spout should be at least 20 mm in front of the back edge of the sink.

For Touchfree control please order eSet Touchfree WITH or WITHOUT temperature adjustment

Recommended miscellaneous

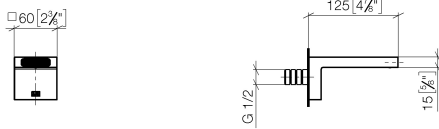


- Concealed wall elbow -**
- max. recess depth mm
 - min. recess depth mm

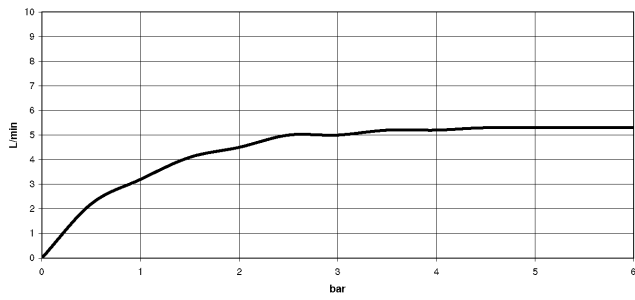
35 085 970 90

**SYMETRICS Wall-mounted basin spout without pop-up waste - Brushed
Platinum**

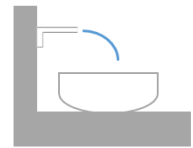
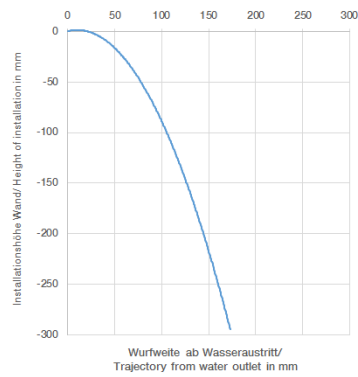
13 800 740 Product version from 7/1/2016
mm [inches]



Flow rate chart

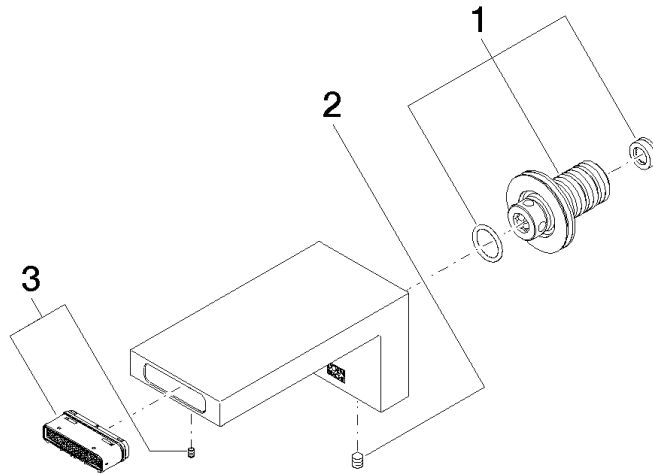


Trajectory diagram



SYMETRICS Wall-mounted basin spout without pop-up waste - Brushed Platinum

13 800 740 Product version from 7/1/2016



Spare parts list

No.	Item Number	Name	Quantity used	Delivery time
1	90 24 03 108 00 90	nipple set	1	2
2	90 31 11 004 00 90	pin	1	2
3	90 29 03 067 00 90	aerator	1	2