

13 800 882



Fits: TARA, META

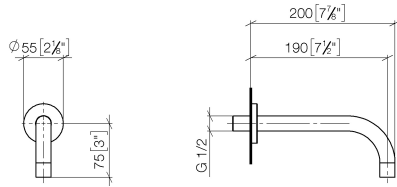
- 190mm projection
- fixed spout
- circular, air-enriched flow
- hole diameter 40 mm
- rosette Ø 60 mm
- 1/2" connection
- plug-link mounting
- max. flow 7 l/min
- lead-free
- This product can help a building meet the requirements of Green Building Rating Systems, e.g. LEED®, BREEAM®, DGNB
- WRAS 1811020

For Touchfree control please order eSet Touchfree WITH or WITHOUT temperature adjustment

	Brushed Chrome	13 800 882-93
	Chrome	13 800 882-00
	Dark Chrome	13 800 882-19
	Brushed Durabronze (23kt Gold)	13 800 882-28
	Brushed Bronze	13 800 882-42
	Brushed Champagne (22kt Gold)	13 800 882-46
	Champagne (22kt Gold)	13 800 882-47
	Brushed Dark Platinum	13 800 882-99

13 800 882

mm [inches]



Flow rate chart

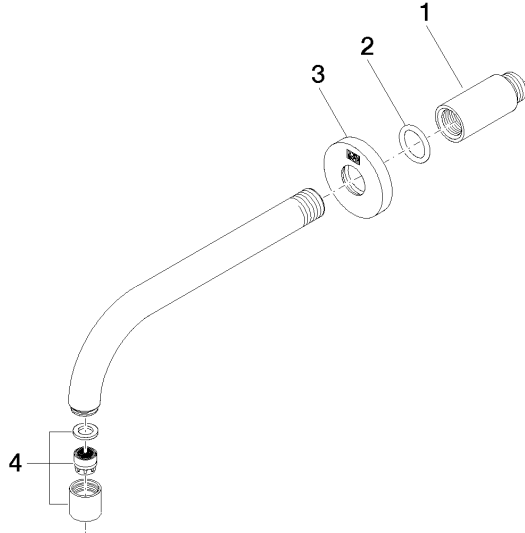


Certificates

WRAS_1811020. LGA_29119.

13 800 882

Parts for other finishes can be found here: [Chrome](#)



Spare parts list

No.	Item Number	Name	Quantity used	Delivery time
1	09 24 03 081 10 90	extension	1	2
2	90 14 10 026 00 90	seal	1	2
3	09 27 22 503-93	rosette	1	20
4	90 23 01 019 00-93	aerator	1	20