

# META SQUARE HOT & COLD WATER DISPENSER - Champagne (22kt Gold) META SQUARE

17 861 625



- 145mm projection
  - rigid, thermally insulated spout
  - laminar flow
  - height of mixer 249 mm
  - height up to laminar flow regulator 184 mm
  - hole diameter 35 mm
  - provides filtered, hot water up to 93°C
  - provides filtered, cold water
  - max. flow 2 l/min at 3 bar flow pressure
  - ready-to-use control unit for wall mounting (137mm x 159mm x 60mm)
  - electronic magnetic valve
  - 100-230 V, 50-60 Hz, 18 W power supply unit, incl. country-specific adapter set
  - lead-free
  - Spout ring cannot be removed.
  - This product can help a building meet the requirements of Green Building Rating Systems, e.g. LEED®, BREEAM®, DGNB
- A minimum flow pressure of 3 bar is necessary for the HOT & COLD WATER DISPENSER to work perfectly in conjunction with a hot water tank and filter.**  
**In addition, the installation must be above a kitchen sink.**  
**The filter cartridge must be changed every six months. The installation instructions contain further information for guidance.**  
**Detailed planning information and technical data can be found at [www.dornbracht.com/professional](http://www.dornbracht.com/professional)**

A minimum flow pressure of 3 bar is necessary for the HOT & COLD WATER DISPENSER to work perfectly in conjunction with a hot water tank and filter.

In addition, the installation must be above a kitchen sink.

The filter cartridge must be changed every six months. The installation instructions contain further information for guidance.

Detailed planning information and technical data can be found at [www.dornbracht.com/professional](http://www.dornbracht.com/professional)

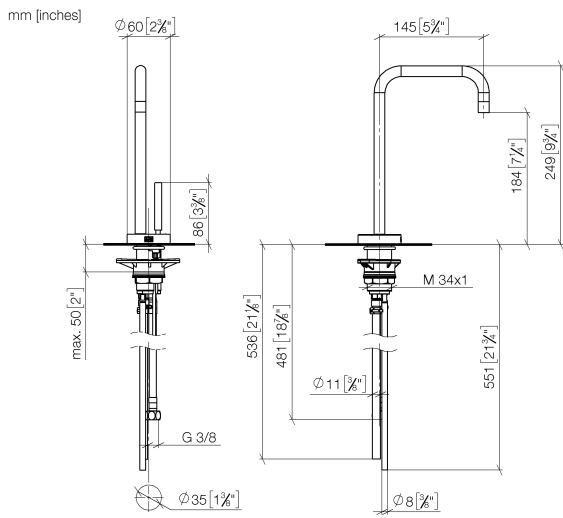
|  |                                |               |
|--|--------------------------------|---------------|
|  | Champagne (22kt Gold)          | 17 861 625-47 |
|  | Chrome                         | 17 861 625-00 |
|  | Brushed Platinum               | 17 861 625-06 |
|  | Platinum                       | 17 861 625-08 |
|  | Durabronze (23kt Gold)         | 17 861 625-09 |
|  | Dark Chrome                    | 17 861 625-19 |
|  | Brushed Durabronze (23kt Gold) | 17 861 625-28 |
|  | Matte Black                    | 17 861 625-33 |
|  | Brushed Champagne (22kt Gold)  | 17 861 625-46 |
|  | Brushed Chrome                 | 17 861 625-93 |
|  | Brushed Dark Platinum          | 17 861 625-99 |

## Required miscellaneous

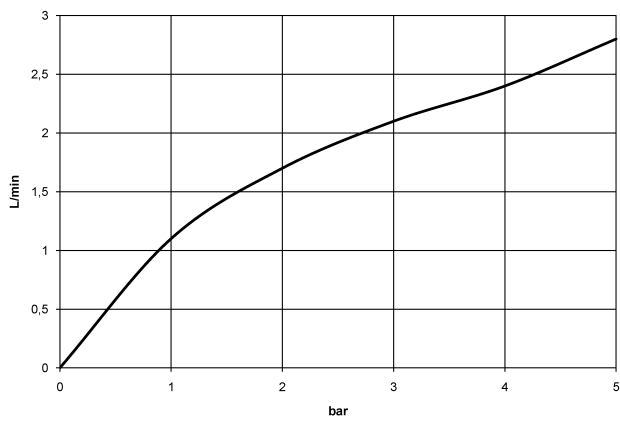


Hot water tank incl. filter - 12 892 970 90

17 861 625



**Flow rate chart**



**Certificates**

IAPMO\_N-4976.    GDV\_0400297.    IAPMO\_6397.

17 861 625

