

17 861 875



- 146mm projection
 - rigid, thermally insulated spout
 - laminar flow
 - height of mixer 288 mm
 - height up to laminar flow regulator 180 mm
 - hole diameter 35 mm
 - provides filtered, hot water up to 93°C
 - provides filtered, cold water
 - max. flow 2 l/min at 3 bar flow pressure
 - ready-to-use control unit for wall mounting (137mm x 159mm x 60mm)
 - electronic magnetic valve
 - 100-230 V, 50-60 Hz, 18 W power supply unit, incl. country-specific adapter set
 - lead-free
 - Spout ring cannot be removed.
 - This product can help a building meet the requirements of Green Building Rating Systems, e.g. LEED®, BREEAM®, DGNB
- A minimum flow pressure of 3 bar is necessary for the HOT & COLD WATER DISPENSER to work perfectly in conjunction with a hot water tank and filter.**
In addition, the installation must be above a kitchen sink.
The filter cartridge must be changed every six months. The installation instructions contain further information for guidance.
Detailed planning information and technical data can be found at www.dornbracht.com/professional

A minimum flow pressure of 3 bar is necessary for the HOT & COLD WATER DISPENSER to work perfectly in conjunction with a hot water tank and filter.

In addition, the installation must be above a kitchen sink.

The filter cartridge must be changed every six months. The installation instructions contain further information for guidance.

Detailed planning information and technical data can be found at www.dornbracht.com/professional

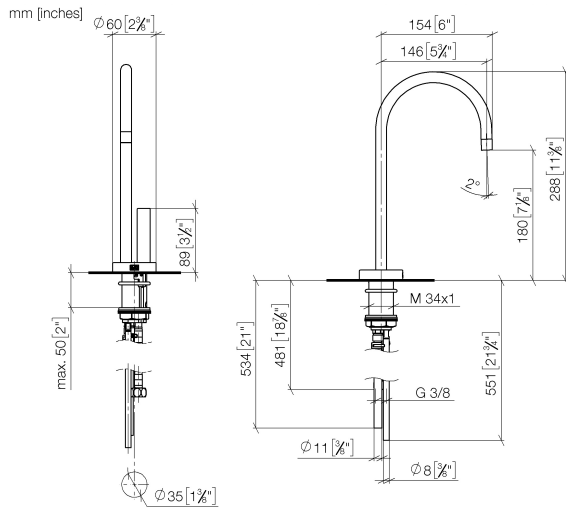
| | | |
|--|-------------------------------|---------------|
| | Chrome | 17 861 875-00 |
| | Brushed Platinum | 17 861 875-06 |
| | Platinum | 17 861 875-08 |
| | Durabrand (23kt Gold) | 17 861 875-09 |
| | Dark Chrome | 17 861 875-19 |
| | Brushed Durabrand (23kt Gold) | 17 861 875-28 |
| | Matte Black | 17 861 875-33 |
| | Brushed Champagne (22kt Gold) | 17 861 875-46 |
| | Champagne (22kt Gold) | 17 861 875-47 |
| | Brushed Chrome | 17 861 875-93 |
| | Brushed Dark Platinum | 17 861 875-99 |

Required miscellaneous

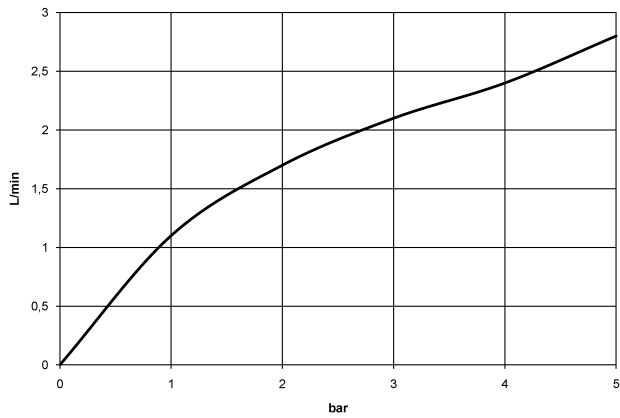


Hot water tank incl. filter - 12 892 970 90

17 861 875



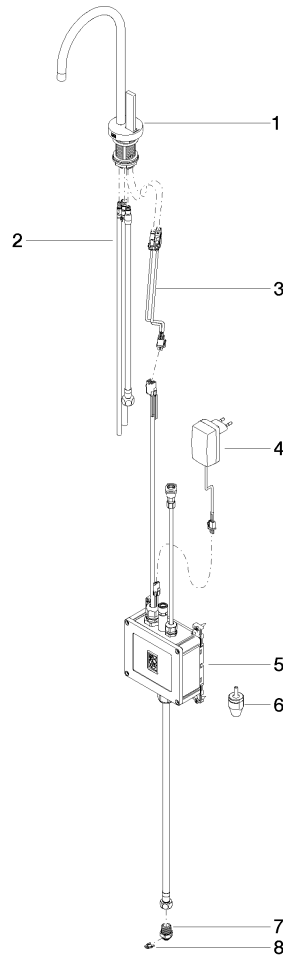
Flow rate chart



Certificates

IAPMO_4976 (5). IAPMO_N-4976. GDV_0400297. LGA_28297. IAPMO_6397.

17 861 875



Spare parts list

| No. | Item Number | Name | Quantity used | Delivery time |
|-----|--------------------|------------------------|---------------|---------------|
| 1 | 90 17 85 100 05-00 | fitting | 1 | 10 |
| 2 | 90 30 04 067 00 90 | hose | 1 | 2 |
| 3 | 90 10 01 048 00 90 | electronic accessories | 1 | 2 |
| 4 | 04 10 01 050 00 90 | power supply | 1 | 60 |
| 5 | 90 11 11 064 01 90 | electronic accessories | 1 | 2 |
| 6 | 90 24 04 291 00 90 | insert | 1 | 2 |
| 7 | 09 24 04 293 90 | nipple | 1 | 2 |
| 8 | 09 16 01 045 90 | ring | 1 | 2 |