

**VAIA Three-hole basin mixer with pop-up waste - Brushed Durabronze (23kt Gold)**

20 713 809 Product version from 5/27/2021



- 168mm projection
- pivotable spout 360°
- circular, air-enriched flow
- height of mixer 280 mm
- height up to aerator 191 mm
- hole diameter valve 32 mm
- hole diameter spout 35 mm
- rosette Ø 60 mm
- max. flow 5.7 l/min
- lead-free
- This product can help a building meet the requirements of Green Building Rating Systems, e.g. LEED®, BREEAM®, DGNB
- WRAS

Only suitable for basins with an overflow.

	Brushed Durabronze (23kt Gold)	20 713 809-28
	Chrome	20 713 809-00
	Brushed Platinum	20 713 809-06
	Platinum	20 713 809-08
	Dark Chrome	20 713 809-19
	Brushed Bronze	20 713 809-42
	Brushed Champagne (22kt Gold)	20 713 809-46
	Champagne (22kt Gold)	20 713 809-47
	Brushed Dark Platinum	20 713 809-99

**Recommended miscellaneous**

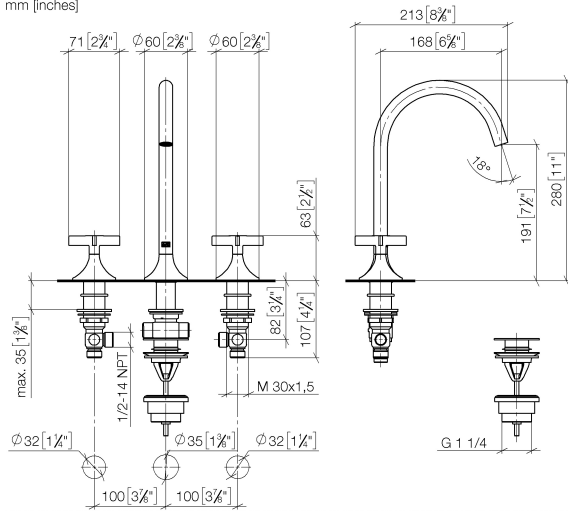


**High pressure hoses -**  
 • 2x 3/8" x 1/2" x 500mm high pressure hose

12 506 970 90

**VAIA Three-hole basin mixer with pop-up waste - Brushed Durabronz (23kt Gold)**

20 713 809 Product version from 5/27/2021  
mm [inches]



**Flow rate chart**



**Codes & Standards**

DIN 4109	Executive Order no. 1007	ISO 3822	Scottish Water Byelaws
UK Water Supply Regulations	Ü-Zeichen	XP P 41-280	



# VAIA Three-hole basin mixer with pop-up waste - Brushed Durabronz (23kt Gold)

---

20 713 809 Product version from 5/27/2021

## Certificates

---

LGA\_29

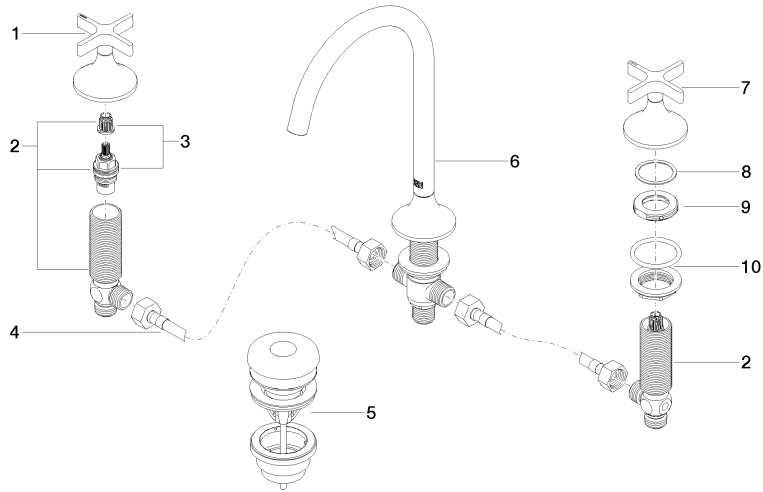
ACS\_20 ACC LY

GDV\_0400

WRAS\_2312

**VAIA Three-hole basin mixer with pop-up waste - Brushed Durabron (23kt Gold)**

20 713 809 Product version from 5/27/2021



**Spare parts list**

No.	Item Number	Name	Quantity used	Delivery time
1	90 20 80 011 00-28	handle ( hot )	1	20
2	04 17 11 055 51 90	side panel	2	2
3	90 90 03 151 00 90	top	2	2
4	04 30 04 096 00 90	hose	2	2
5	10 125 970-28	Basin Waste with push fastening 1 1/4" - Brushed Durabron (23kt Gold)	1	2
6	13 716 809-28	VAIA Deck-mounted basin spout without pop-up waste - Brushed Durabron (23kt Gold)	1	20
7	90 20 80 010 00-28	handle ( cold )	1	20
8	09 28 10 003 90	ring	2	2
9	09 24 01 028 90	ring	2	2
10	04 23 10 032 46 90	fixing set	2	2