

VAIA Three-hole basin mixer with pop-up waste - Brushed Bronze

20 713 809 Product version from 5/27/2021



- 168mm projection
- pivotable spout 360°
- circular, air-enriched flow
- height of mixer 280 mm
- height up to aerator 191 mm
- hole diameter valve 32 mm
- hole diameter spout 35 mm
- rosette Ø 60 mm
- max. flow 5.7 l/min
- lead-free
- This product can help a building meet the requirements of Green Building Rating Systems, e.g. LEED®, BREEAM®, DGNB
- WRAS

Only suitable for basins with an overflow.

	Brushed Bronze	20 713 809-42
	Chrome	20 713 809-00
	Brushed Platinum	20 713 809-06
	Platinum	20 713 809-08
	Dark Chrome	20 713 809-19
	Brushed Durabronze (23kt Gold)	20 713 809-28
	Brushed Champagne (22kt Gold)	20 713 809-46
	Champagne (22kt Gold)	20 713 809-47
	Brushed Dark Platinum	20 713 809-99

Recommended miscellaneous



High pressure hoses -

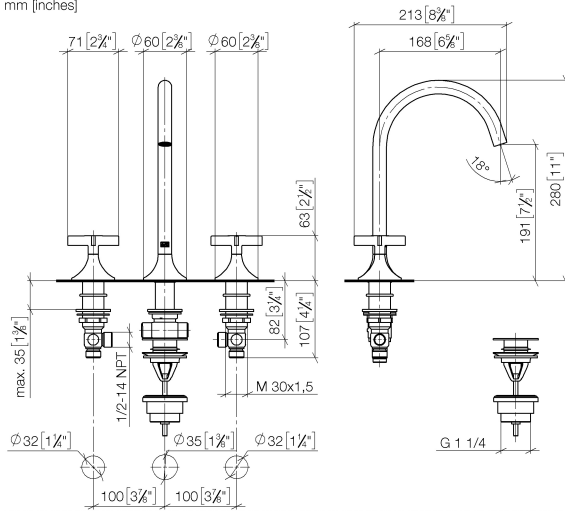
- 2x 3/8" x 1/2" x 500mm high pressure hose

12 506 970 90

VAIA Three-hole basin mixer with pop-up waste - Brushed Bronze

20 713 809 Product version from 5/27/2021

mm [inches]



Flow rate chart



Codes & Standards

DIN 4109

Executive Order
no. 1007

ISO 3822

Scottish Water
Byelaws

UK Water Supply
Regulations

Ü-Zeichen



VAIA Three-hole basin mixer with pop-up waste - Brushed Bronze

20 713 809 Product version from 5/27/2021

Certificates

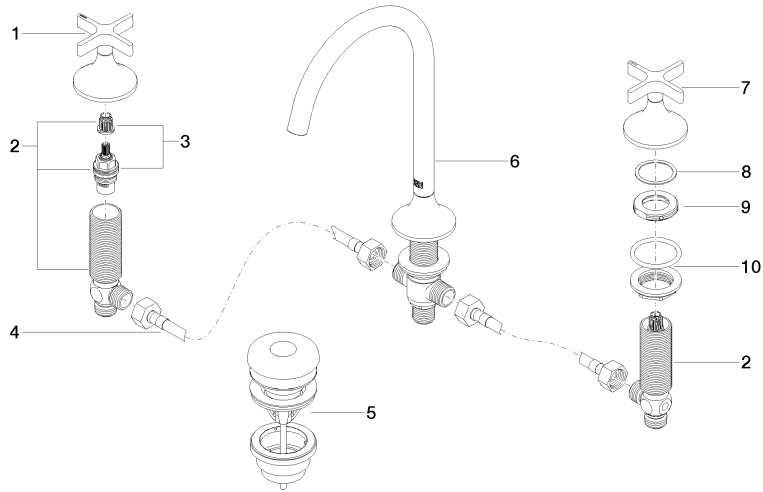
LGA_29

GDV_0400

WRAS_2312

VAIA Three-hole basin mixer with pop-up waste - Brushed Bronze

20 713 809 Product version from 5/27/2021



Spare parts list

No.	Item Number	Name	Quantity used	Delivery time
1	90 20 80 011 00-42	handle (hot)	1	30
2	04 17 11 055 51 90	side panel	2	2
3	90 90 03 151 00 90	top	2	2
4	04 30 04 096 00 90	hose	2	2
5	10 125 970-42	Basin Waste with push fastening 1 1/4" - Brushed Bronze	1	30
6	13 716 809-42	VAIA Deck-mounted basin spout without pop-up waste - Brushed Bronze	1	30
7	90 20 80 010 00-42	handle (cold)	1	30
8	09 28 10 003 90	ring	2	2
9	09 24 01 028 90	ring	2	2
10	04 23 10 032 46 90	fixing set	2	2