

20 815 892



- 235mm projection
- pivotable spout 360°
- air-enriched flow
- height of mixer 370 mm
- height up to aerator 212 mm
- hole diameter spout 35 mm
- hole diameter valve 32 mm
- max. flow 7 l/min at 3 bar flow pressure
- lead-free
- This product can help a building meet the requirements of Green Building Rating Systems, e.g. LEED®, BREEAM®, DGNB
- WRAS 2107052

	Platinum	20 815 892-08
	Chrome	20 815 892-00
	Brushed Platinum	20 815 892-06
	Durabrace (23kt Gold)	20 815 892-09
	Dark Chrome	20 815 892-19
	Brushed Durabrace (23kt Gold)	20 815 892-28
	Matte Black	20 815 892-33
	Brushed Champagne (22kt Gold)	20 815 892-46
	Champagne (22kt Gold)	20 815 892-47
	Brushed Chrome	20 815 892-93
	Brushed Dark Platinum	20 815 892-99

Recommended miscellaneous

**Strainer waste with control handle - Platinum** 10 710 970-08

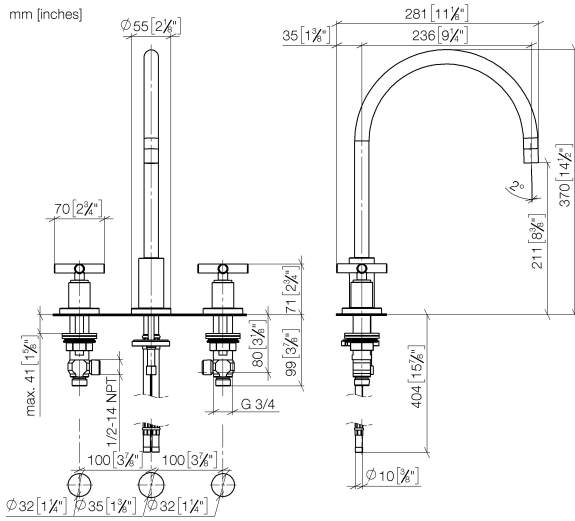


Recommended miscellaneous

**Dispenser with rosette - Platinum** 82 444 970-08



20 815 892



Flow rate chart



Certificates

WRAS\_2107052.

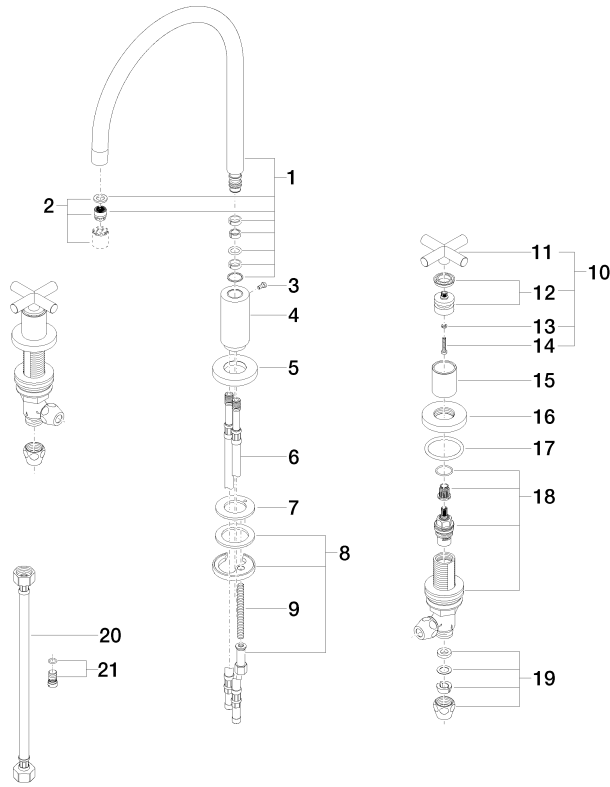
ETA\_18514.

LGA\_19166.

GDV\_0400289.

20 815 892

Parts for other finishes can be found here: [Chrome](#)





## TARA Three-hole mixer - Platinum

TARA

20 815 892

### Spare parts list

No.	Item Number	Name	Quantity used	Delivery time
1	90 28 22 226 01-08	spout	1	40
2	90 23 01 028 03-08	aerator	1	40
3	09 30 30 057 90	screw	1	2
4	09 11 10 088 10-08	connection	1	40
5	09 28 10 140-08	ring	1	40
6	04 30 04 064 00 90	hose	2	60
7	09 14 05 047 90	seal	1	2
8	04 30 11 038 00 90	fixing set	1	2
9	09 31 11 011 90	pin	1	2
10	90 20 89 010 10-08	handle	2	40
11	09 20 89 010-08	handle	2	60
12	90 12 12 007 00-08	base	2	40
13	90 30 11 029 00 90	disc	2	2
14	90 30 30 075 00 90	screw	2	2
15	09 21 02 140-08	sleeve	2	40
16	09 27 89 105-08	rosette	2	40
17	90 14 10 043 00 90	seal	2	2
18	90 17 11 040 51 90	side panel	2	2
19	90 23 30 040 00-08	threaded connector	4	40
20	12 501 970 90	High pressure hose 1/2" x 1/2" x 300 mm -	2	-
Spare part can no longer be ordered, please order the replacement item				
21	04 31 20 046 10 92	set	1	2