


22 815 892



- 235mm projection
- pivotable spout 360°
- air-enriched flow
- height of mixer 378 mm
- height up to aerator 220 mm
- hole diameter 35 mm
- max. flow 7 l/min at 3 bar flow pressure
- lead-free
- This product can help a building meet the requirements of Green Building Rating Systems, e.g. LEED®, BREEAM®, DGNB
- WRAS 1810003

| | | |
|---|--------------------------------|---------------|
|  | Brushed Chrome | 22 815 892-93 |
|  | Chrome | 22 815 892-00 |
|  | Brushed Platinum | 22 815 892-06 |
|  | Platinum | 22 815 892-08 |
|  | Durabronze (23kt Gold) | 22 815 892-09 |
|  | Dark Chrome | 22 815 892-19 |
|  | Brushed Durabronze (23kt Gold) | 22 815 892-28 |
|  | Matte Black | 22 815 892-33 |
|  | Brushed Champagne (22kt Gold) | 22 815 892-46 |
|  | Champagne (22kt Gold) | 22 815 892-47 |
|  | Brushed Dark Platinum | 22 815 892-99 |

Recommended miscellaneous

Strainer waste with control handle - Brushed Chrome 10 710 970-93



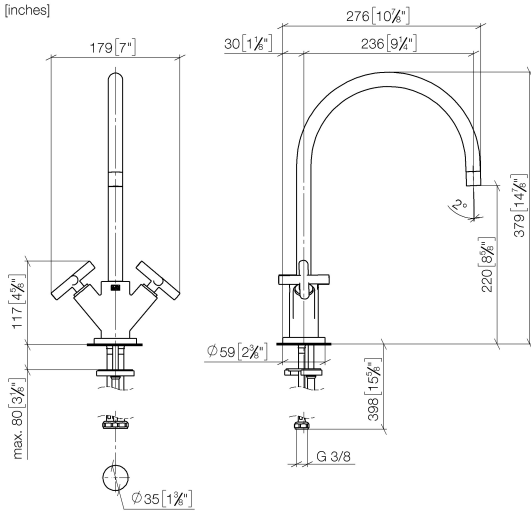
Recommended miscellaneous

Dispenser with rosette - Brushed Chrome 82 444 970-93



22 815 892

mm [inches]



Flow rate chart

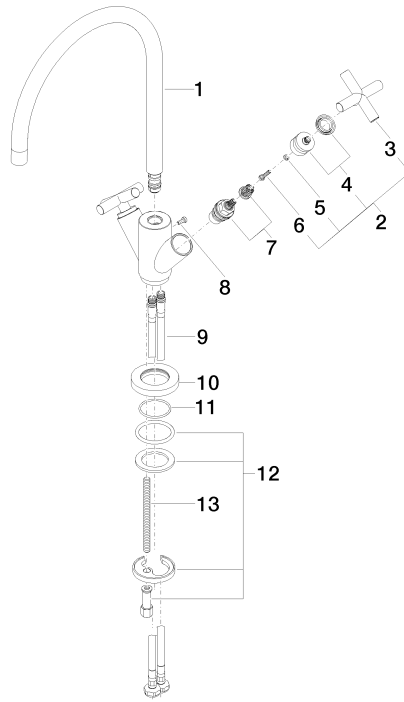


Certificates

GDV_0400194.

22 815 892

Parts for other finishes can be found here: [Chrome](#)



Spare parts list

| No. | Item Number | Name | Quantity used | Delivery time |
|-----|--------------------|------------|---------------|---------------|
| 1 | 90 28 22 226 01-93 | spout | 1 | 20 |
| 2 | 90 20 89 010 10-93 | handle | 2 | 20 |
| 3 | 09 20 89 010-93 | handle | 2 | 60 |
| 4 | 90 12 12 007 00-93 | base | 2 | 20 |
| 5 | 90 30 11 029 00 90 | disc | 2 | 2 |
| 6 | 90 30 30 075 00 90 | screw | 2 | 2 |
| 7 | 90 90 03 151 00 90 | top | 2 | 2 |
| 8 | 09 30 30 054 90 | screw | 1 | 2 |
| 9 | 04 30 04 104 00 90 | hose | 2 | 2 |
| 10 | 09 28 10 132-93 | ring | 1 | 20 |
| 11 | 09 14 10 134 90 | seal | 1 | 2 |
| 12 | 04 30 11 038 00 90 | fixing set | 1 | 2 |
| 13 | 09 31 11 012 90 | pin | 1 | 2 |