

24 510 892

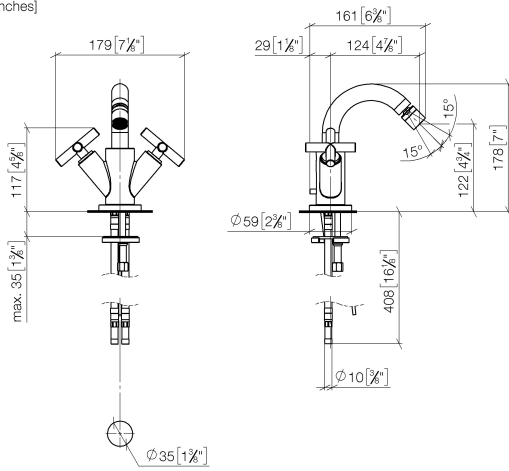


- 124mm projection
- ball-joint pivotable through 15° (in any direction)
- circular, air-enriched flow
- height of mixer 180 mm
- height up to aerator 123 mm
- hole diameter 35 mm
- rosette Ø 59 mm
- 2x screw-in M 10 x 1 pressure hose, leak-tested
- max. flow 7 l/min

	Dark Chrome	24 510 892-19
	Chrome	24 510 892-00
	Brushed Platinum	24 510 892-06
	Platinum	24 510 892-08
	Brushed Durabronze (23kt Gold)	24 510 892-28
	Matte Black	24 510 892-33
	Brushed Champagne (22kt Gold)	24 510 892-46
	Champagne (22kt Gold)	24 510 892-47
	Brushed Chrome	24 510 892-93
	Brushed Dark Platinum	24 510 892-99

24 510 892

mm [inches]



Flow rate chart



Certificates

LGA\_18920.

24 510 892

Parts for other  
finishes can be found  
here: [Chrome](#)

