

**Shower set without hand shower - Brushed Bronze**

IMO

26 413 979



Fits: IMO, LULU, MEM, TARA, CL.1, LISSÉ,  
VAIA, META, CYO

- slide bar
- Pipe diameter 18 mm
- gauge 853 mm
- metal shower hose 1750mm with integrated anti-twist protection
- shower hose connector 3/8"
- WRAS 2009048

This article does not include a hand shower!

	Brushed Bronze	26 413 979-42
	Chrome	26 413 979-00
	Brushed Platinum	26 413 979-06
	Platinum	26 413 979-08
	Dark Chrome	26 413 979-19
	Light Gold	26 413 979-26
	Brushed Light Gold	26 413 979-27
	Brushed Durabronze (23kt Gold)	26 413 979-28
	Matte Black	26 413 979-33
	Brushed Champagne (22kt Gold)	26 413 979-46
	Champagne (22kt Gold)	26 413 979-47
	Brushed Chrome	26 413 979-93
	Brushed Dark Platinum	26 413 979-99

**Recommended miscellaneous**

	<b>Concealed wall elbow -</b> •min. recess depth 90 mm •max. recess depth 163 mm	35 085 970 90
--	--	---------------

**Required miscellaneous**

	<b>Hand shower - Brushed Bronze</b>	28 012 979-42
--	-------------------------------------	---------------

**Required miscellaneous**

	<b>Hand shower FlowReduce - Brushed Bronze</b>	28 012 979-42 0010
--	--	-----------------------

**Required miscellaneous**

	<b>Hand shower - Brushed Bronze</b>	28 017 979-42
--	-------------------------------------	---------------

**Required miscellaneous**

	<b>Hand shower FlowReduce - Brushed Bronze</b>	28 016 979-42 0010
--	--	-----------------------

**Required miscellaneous**

	<b>Hand shower - Brushed Bronze</b>	28 018 979-42
--	-------------------------------------	---------------

**Required miscellaneous**

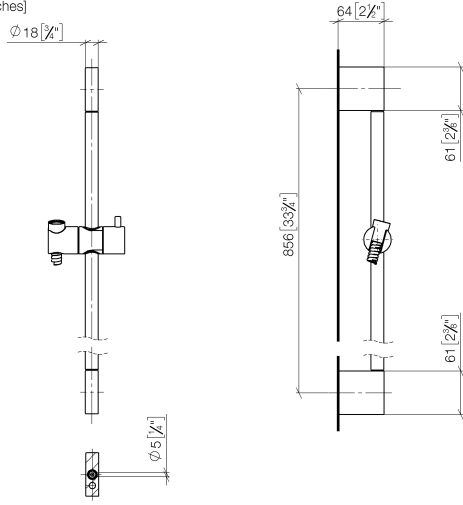
	<b>Hand shower - Brushed Bronze</b>	28 016 979-42
--	-------------------------------------	---------------

**Required miscellaneous**

	<b>Hand shower FlowReduce - Brushed Bronze</b>	28 018 979-42 0010
--	--	-----------------------

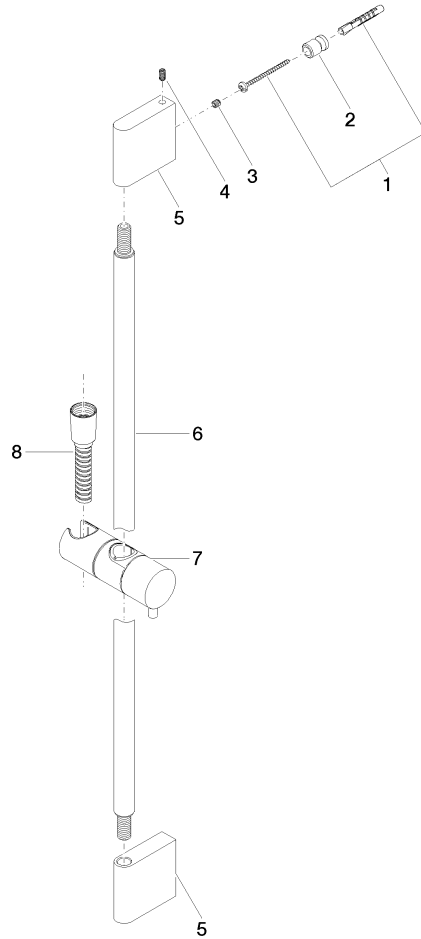
26 413 979

mm [inches]



26 413 979

Product version from 10/1/2023





## Shower set without hand shower - Brushed Bronze

IMO

26 413 979

### Spare parts list

#### Product version from 10/1/2023

No.	Item Number	Name	Quantity used	Delivery time
	05 17 20 726 02 90	fixing set	13	2