

**TARA Showerpipe without hand shower FlowReduce 220 mm - Brushed Bronze**

TARA

26 633 892



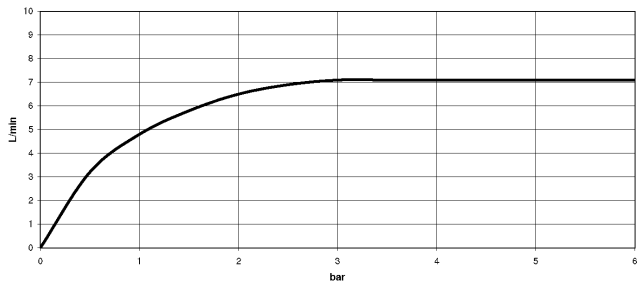
- shower with fixed riser projection 420mm
- overhead shower: rain flow
- rain shower Ø 220 mm
- rain shower with anti-scale system
- max. rainshower flow 7 l/min
- rotary diverter for fixed-riser shower/hand shower
- height of fittings up to rain shower (bottom edge) 1007mm
- height of fittings up to top edge of elbow 1167mm
- rosette for shower holder Ø 55mm
- rosette for wall mounting Ø 57mm
- rosette for shower mixer Ø 65mm
- gauge 150 mm - 13 mm
- 1500 mm metal shower hose
- 1/2" connection
- Pipe diameter 20 mm
- quick clearing
- This product can help a building meet the requirements of Green Building Rating Systems, e.g. LEED®, BREEAM®, DGNB
- WRAS 2204012

This article does not include a hand shower!

Intrinsic protection against back flow.

|  |                                |               |
|--|--------------------------------|---------------|
|    | Brushed Bronze                 | 26 633 892-42 |
|    | Chrome                         | 26 633 892-00 |
|    | Brushed Platinum               | 26 633 892-06 |
|    | Platinum                       | 26 633 892-08 |
|    | Dark Chrome                    | 26 633 892-19 |
|    | Brushed Durabronze (23kt Gold) | 26 633 892-28 |
|    | Matte Black                    | 26 633 892-33 |
|    | Brushed Champagne (22kt Gold)  | 26 633 892-46 |
|    | Champagne (22kt Gold)          | 26 633 892-47 |
|   | Brushed Chrome                 | 26 633 892-93 |
|  | Brushed Dark Platinum          | 26 633 892-99 |

Flow rate chart



Codes & Standards

DIN 4109

ISO 3822

Ü-Zeichen



TARA Showerpipe without hand shower FlowReduce 220 mm - Brushed  
Bronze

---

TARA

26 633 892  
Certificates

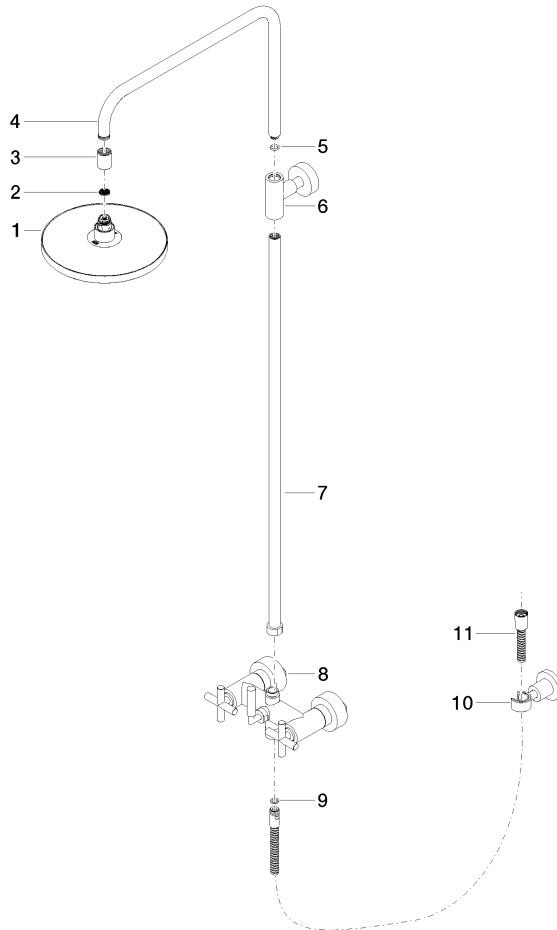
---

LGA\_38

26 633 892

**Product version from 4/1/2024**

Parts for other  
finishes can be found  
here: [Chrome](#)





TARA Showerpipe without hand shower FlowReduce 220 mm - Brushed  
Bronze

TARA

26 633 892

### Spare parts list

#### Product version from 4/1/2024

| No. | Item Number        | Name   | Quantity used | Delivery time |
|-----|--------------------|--------|---------------|---------------|
|     | 90 12 05 092 20-42 | shower | 11            | 30            |