

MADISON Bath shower set for bath rim or tile edge installation - Brushed Dark Platinum

MADISON

27 502 370



- 225mm projection
- complete hand shower set: normal flow
- spout: circular, air-enriched flow
- complete hand shower set with anti-scale system
- automatic bath/shower diverter
- height of mixer 185 mm
- height up to aerator 140 mm
- hole diameter valve 32 mm
- hole diameter spout 32 mm
- hole diameter for complete hand shower set 32 mm
- rosette for spout Ø 70mm
- rosette for complete hand shower set Ø 60mm
- rosette for deck valve Ø 60mm
- metal shower hose 1750mm with integrated anti-twist protection
- max. spout flow rate 23 l/min
- max. flow for complete hand shower set 6.8 l/min

Intrinsic protection against back flow.

	Brushed Dark Platinum	27 502 370-99
	Chrome	27 502 370-00
	Brushed Platinum	27 502 370-06
	Platinum	27 502 370-08
	Durabress (23kt Gold)	27 502 370-09
	Brushed Durabress (23kt Gold)	27 502 370-28

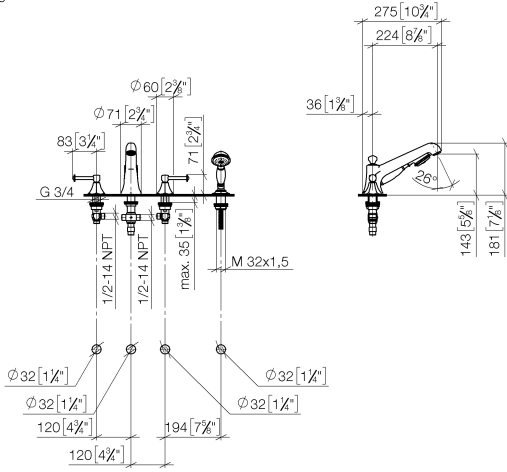
Recommended miscellaneous



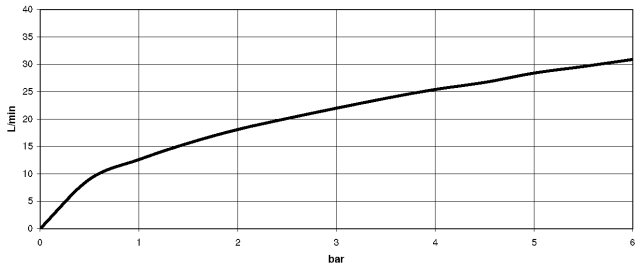
Perfecto installation kit -

12 614 970 90

27 502 370
mm [inches]
1:10



Flow rate chart



Codes & Standards

DIN 4109

EN 1717

ISO 3822

Ü-Zeichen



MADISON Bath shower set for bath rim or tile edge installation - Brushed Dark
Platinum

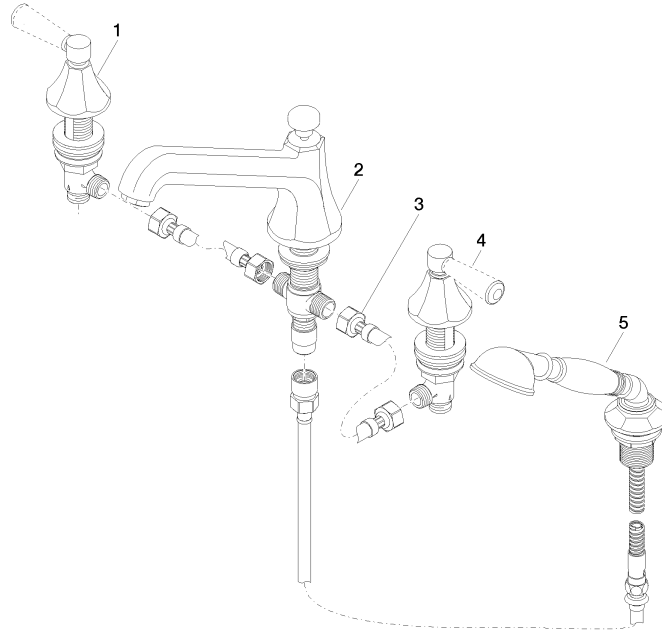
MADISON

27 502 370
Certificates

LGA_8

Belgaqua_21-380-2

27 502 370





MADISON Bath shower set for bath rim or tile edge installation - Brushed Dark
Platinum

MADISON

27 502 370

Spare parts list

No.	Item Number	Name	Quantity used	Delivery time
	20 000 370-99	side panel	6	60