

## VAIA Five-hole bath mixer for deck mounting with diverter - Dark Chrome

27 522 809



- spout: circular, air-enriched flow
- max. flow 21.5 l/min at 3 bar flow pressure
- Hand shower: COMPACT RAIN, max. flow rate 6.8 l/min (at 3 bar)
- complete hand shower set with anti-scale system
- 220mm projection
- automatic bath/shower diverter
- height of mixer 347 mm
- height up to aerator 244 mm
- hole diameter valve 32 mm
- hole diameter spout 32 mm
- hole diameter for complete hand shower set 32 mm
- rosette for complete hand shower set Ø 60mm
- rosette for spout Ø 60mm
- rosette for deck valve Ø 60mm
- metal shower hose 1750mm with integrated anti-twist protection
- WRAS

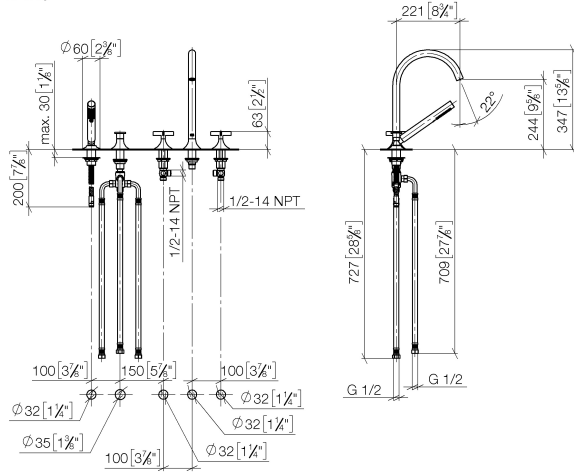
Intrinsic protection against back flow.

	Dark Chrome	27 522 809-19
	Chrome	27 522 809-00
	Brushed Platinum	27 522 809-06
	Platinum	27 522 809-08
	Brushed Durabronze (23kt Gold)	27 522 809-28
	Brushed Bronze	27 522 809-42
	Brushed Champagne (22kt Gold)	27 522 809-46
	Champagne (22kt Gold)	27 522 809-47
	Brushed Dark Platinum	27 522 809-99

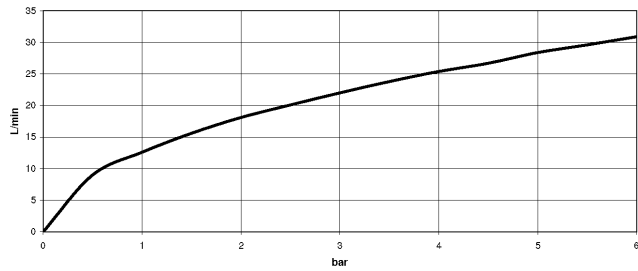
**VAIA Five-hole bath mixer for deck mounting with diverter - Dark Chrome**

27 522 809

mm [inches]  
M 1:10



**Flow rate chart**



**Codes & Standards**

ASME A112.18.1      cUPC      DIN 4109      EN 1717

Executive Order      ISO 3822      Ü-Zeichen  
no. 1007



## VAIA Five-hole bath mixer for deck mounting with diverter - Dark Chrome

---

27 522 809

### Certificates

---

IAPMO\_4976

Belgaqua\_22\_278\_2 WRAS\_2310

LGA\_29



## VAIA Five-hole bath mixer for deck mounting with diverter - Dark Chrome

27 522 809

Parts for other finishes can be found here: [Chrome](#)

