

WATER TUBE Kneipp wall elbow with individual rosettes with hose holder - Platinum

IMO

27 822 979



Fits: IMO, MEM, CL.1, CYO

- laminar flow
- Max. flow rate l/min (at 3 bar)
- rosette 60 x 60 mm
- holder for Kneipp hose
- 1/2" wall elbow
- without hose

Intrinsic protection against back flow.

Product change as of 1.4.2023: max. flow 15 l/min

| | | |
|--|--------------------------------|---------------|
| | Platinum | 27 822 979-08 |
| | Chrome | 27 822 979-00 |
| | Brushed Platinum | 27 822 979-06 |
| | Dark Chrome | 27 822 979-19 |
| | Brushed Durabronze (23kt Gold) | 27 822 979-28 |
| | Matte Black | 27 822 979-33 |
| | Brushed Champagne (22kt Gold) | 27 822 979-46 |
| | Champagne (22kt Gold) | 27 822 979-47 |
| | Brushed Chrome | 27 822 979-93 |
| | Brushed Dark Platinum | 27 822 979-99 |

Recommended miscellaneous

| | | |
|--|--|---------------|
| | Concealed wall elbow - ● max. recess depth 163 mm ● min. recess depth 90 mm | 35 085 970 90 |
|--|--|---------------|

Required miscellaneous

| | | |
|--|--|---------------|
| | WATER TUBE Kneipp hose white 2000 mm - Platinum ● with holding ring ● hose nozzle with sleeve M33 | 28 285 979-08 |
|--|--|---------------|

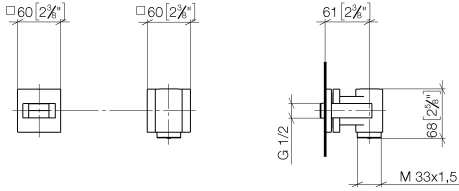
Required miscellaneous

| | | |
|--|--|---------------|
| | WATER TUBE Kneipp hose black 2000 mm - Platinum ● with holding ring ● hose nozzle with sleeve M33 | 28 286 979-08 |
|--|--|---------------|

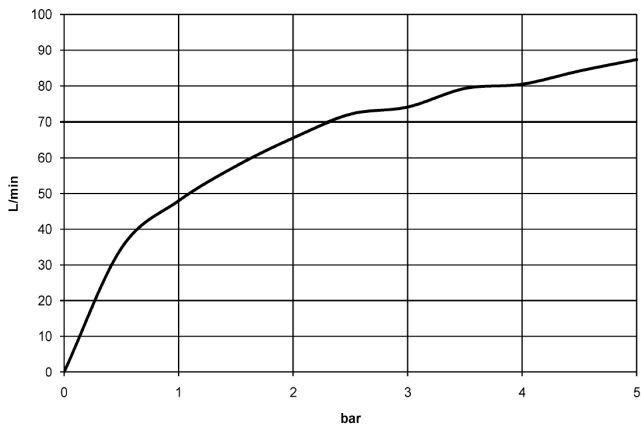
**WATER TUBE Kneipp wall elbow with individual rosettes with hose holder -
Platinum**

IMO

27 822 979
mm [inches]



Flow rate chart



Codes & Standards

EN 1717



WATER TUBE Kneipp wall elbow with individual rosettes with hose holder -
Platinum

IMO

27 822 979

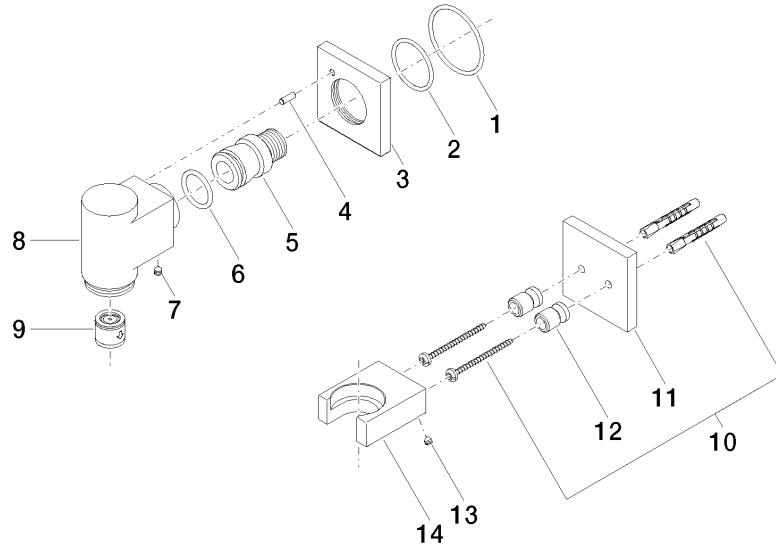
Certificates

Belgaqua_22_280_2

WATER TUBE Kneipp wall elbow with individual rosettes with hose holder -
Platinum

27 822 979

Product version from 3/12/2018





WATER TUBE Kneipp wall elbow with individual rosettes with hose holder -
Platinum

IMO

27 822 979

Spare parts list

Product version from 3/12/2018