

**WATER TUBE Kneipp wall elbow with individual rosettes with hose holder -
Dark Chrome**

IMO

27 822 979



Fits: IMO, MEM, CL.1, CYO


- laminar flow
- Max. flow rate l/min (at 3 bar)
- rosette 60 x 60 mm
- holder for Kneipp hose
- 1/2" wall elbow
- without hose

Intrinsic protection against back flow.


Product change as of 1.4.2023: max. flow 15 l/min

	Dark Chrome	27 822 979-19
	Chrome	27 822 979-00
	Brushed Platinum	27 822 979-06
	Platinum	27 822 979-08
	Brushed Durabronze (23kt Gold)	27 822 979-28
	Matte Black	27 822 979-33
	Brushed Champagne (22kt Gold)	27 822 979-46
	Champagne (22kt Gold)	27 822 979-47
	Brushed Chrome	27 822 979-93
	Brushed Dark Platinum	27 822 979-99


Recommended miscellaneous

- | | | |
|---|--|---------------|
|  | Concealed wall elbow -
•max. recess depth 163 mm
•min. recess depth 90 mm | 35 085 970 90 |
|---|--|---------------|

Required miscellaneous

- | | | |
|---|---|---------------|
|  | WATER TUBE Kneipp hose black
2000 mm - Dark Chrome
•with holding ring
•hose nozzle with sleeve M33 | 28 286 979-19 |
|---|---|---------------|

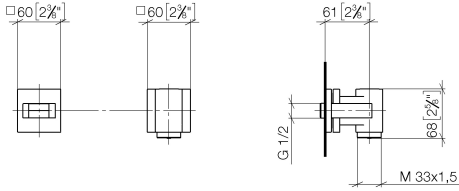
Required miscellaneous

- | | | |
|---|---|---------------|
|  | WATER TUBE Kneipp hose white
2000 mm - Dark Chrome
•with holding ring
•hose nozzle with sleeve M33 | 28 285 979-19 |
|---|---|---------------|

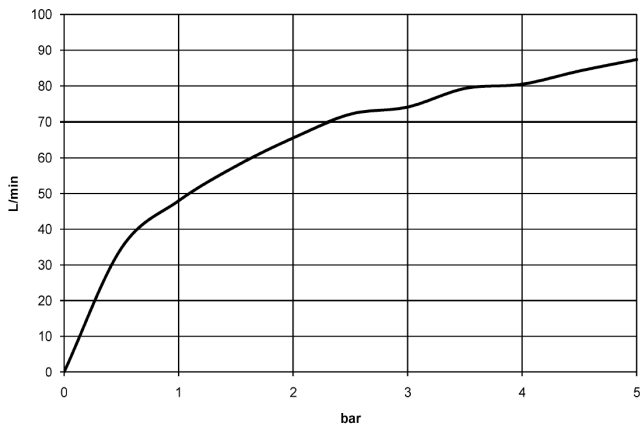
**WATER TUBE Kneipp wall elbow with individual rosettes with hose holder -
Dark Chrome**

IMO

27 822 979
mm [inches]



Flow rate chart



Codes & Standards

EN 1717



WATER TUBE Kneipp wall elbow with individual rosettes with hose holder -
Dark Chrome

IMO

27 822 979

Certificates

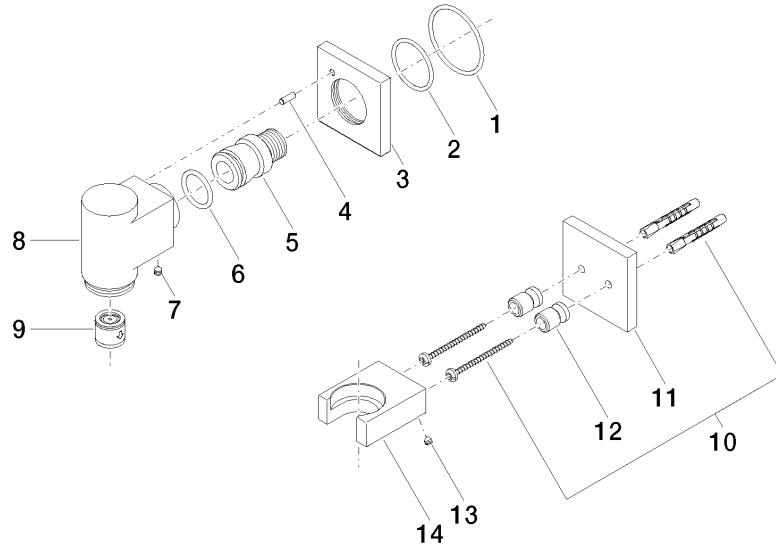
Belgaqua_22_280_2

WATER TUBE Kneipp wall elbow with individual rosettes with hose holder -
Dark Chrome

IMO

27 822 979

Product version from 3/12/2018





WATER TUBE Kneipp wall elbow with individual rosettes with hose holder -
Dark Chrome

IMO

27 822 979

Spare parts list

Product version from 3/12/2018