

**WATER TUBE Kneipp wall elbow with individual rosettes with hose holder -
Brushed Dark Platinum**

IMO

27 822 979



Fits: IMO, MEM, CL.1, CYO

- laminar flow
- Max. flow rate l/min (at 3 bar)
- rosette 60 x 60 mm
- holder for Kneipp hose
- 1/2" wall elbow
- without hose

Intrinsic protection against back flow.

Product change as of 1.4.2023: max. flow 15 l/min

	Brushed Dark Platinum	27 822 979-99
	Chrome	27 822 979-00
	Brushed Platinum	27 822 979-06
	Platinum	27 822 979-08
	Dark Chrome	27 822 979-19
	Brushed Durabronze (23kt Gold)	27 822 979-28
	Matte Black	27 822 979-33
	Brushed Champagne (22kt Gold)	27 822 979-46
	Champagne (22kt Gold)	27 822 979-47
	Brushed Chrome	27 822 979-93

Required miscellaneous



- WATER TUBE Kneipp hose black 28 286 979-99**
2000 mm - Brushed Dark Platinum
- with holding ring
 - hose nozzle with sleeve M33

Required miscellaneous

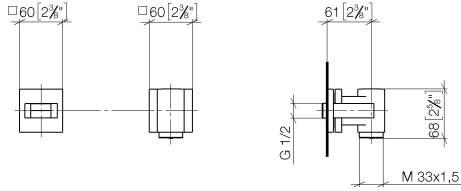


- WATER TUBE Kneipp hose white 28 285 979-99**
2000 mm - Brushed Dark Platinum
- with holding ring
 - hose nozzle with sleeve M33

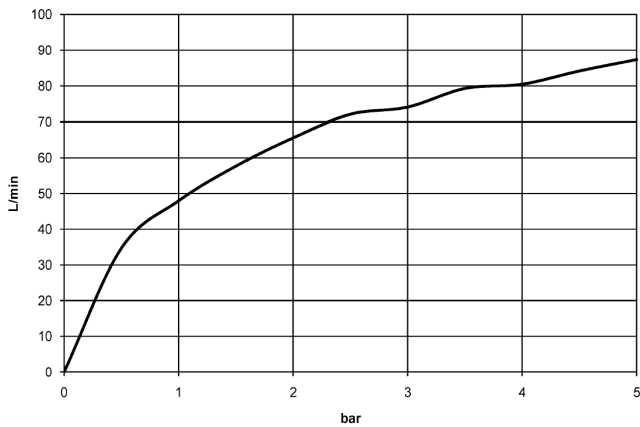
WATER TUBE Kneipp wall elbow with individual rosettes with hose holder -
Brushed Dark Platinum

IMO

27 822 979
mm [inches]



Flow rate chart



Codes & Standards

EN 1717



WATER TUBE Kneipp wall elbow with individual rosettes with hose holder -
Brushed Dark Platinum

IMO

27 822 979

Certificates

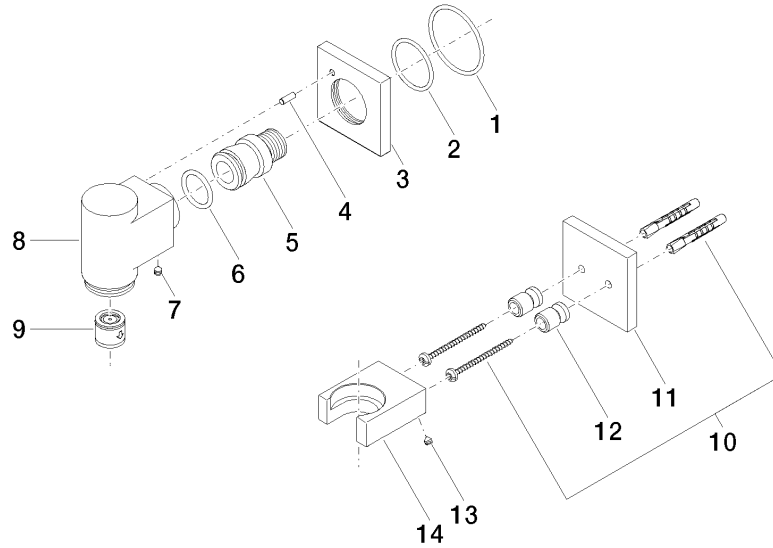
Belgaqua_22_280_2

WATER TUBE Kneipp wall elbow with individual rosettes with hose holder -
Brushed Dark Platinum

27 822 979

Product version from 3/12/2018

Parts for other
finishes can be found
here: [Chrome](#)





WATER TUBE Kneipp wall elbow with individual rosettes with hose holder -
Brushed Dark Platinum

IMO

27 822 979

Spare parts list

Product version from 3/12/2018