

29 218 811

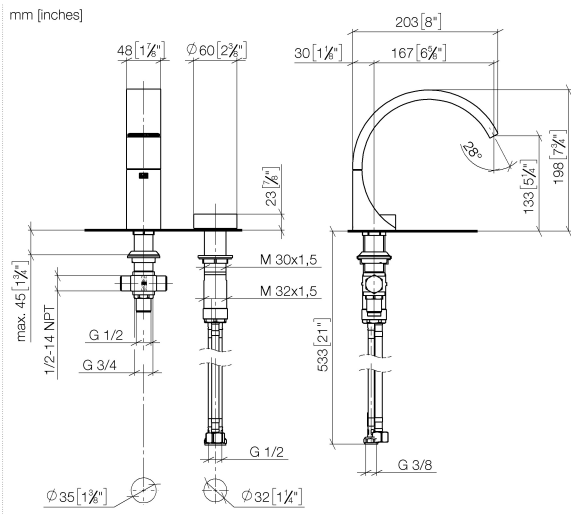


- 167mm projection
- fixed spout
- rectangular, air-enriched flow
- height of mixer 198 mm
- height up to aerator 133 mm
- hole diameter spout 35 mm
- hole diameter valve 32 mm
- handle Ø 60mm
- 2x screw-in M 8 x 1 pressure hose, leak-tested
- 1x screw-in M 10 x 1 pressure hose, leak-tested
- max. flow 4.5 l/min
- progressive cartridge
- lead-free
- This product can help a building meet the requirements of Green Building Rating Systems, e.g. LEED®, BREEAM®, DGNB
- WRAS 2201012

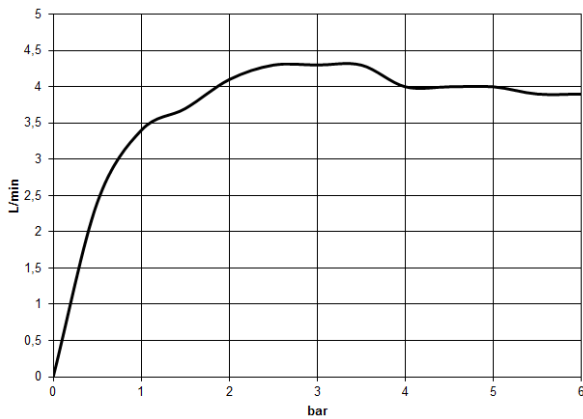
NOTE: The handle inserts must be ordered separately from the fittings!

| | | |
|--|---|---------------|
|  | Platinum / Brushed Platinum | 29 218 811-36 |
|  | Chrome | 29 218 811-00 |
|  | Brushed Platinum | 29 218 811-06 |
|  | Dark Chrome | 29 218 811-19 |
|  | Brushed Durabronze (23kt Gold) | 29 218 811-28 |
|  | Durabronze / Brushed Durabronze (23kt Gold) | 29 218 811-38 |
|  | Brushed Bronze | 29 218 811-42 |
|  | Brushed Dark Platinum | 29 218 811-99 |

29 218 811



Flow rate chart



Codes & Standards

DIN 4109

ISO 3822

Scottish Water
Byelaws

UK Water Supply
Regulations

Ü-Zeichen



CYO Two-hole basin mixer without pop-up waste - Platinum / Brushed Platinum

CYO

29 218 811

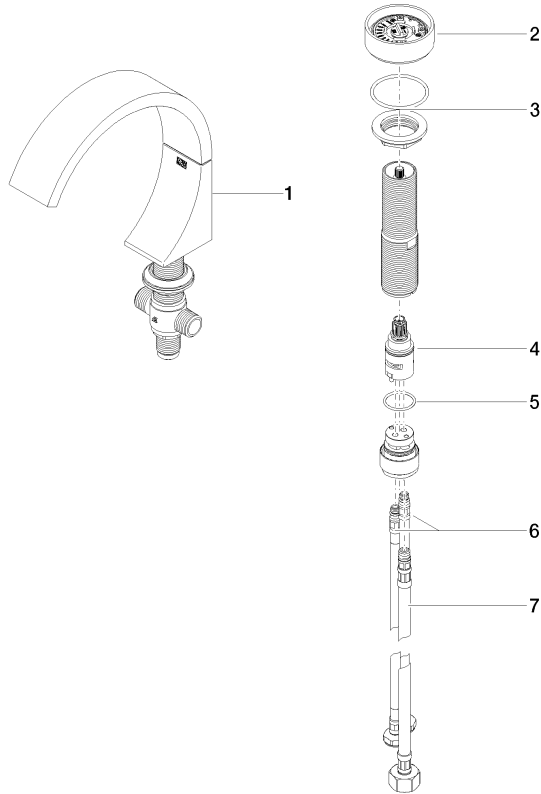
Certificates

LGA_38

WRAS_2201

29 218 811

Parts for other
finishes can be found
here: [Chrome](#)





CYO Two-hole basin mixer without pop-up waste - Platinum / Brushed Platinum

CYO

29 218 811

Spare parts list

| No. | Item Number | Name | Quantity used | Delivery time |
|-----|---------------|--|---------------|---------------|
| | 13 717 811-36 | CYO Deck-mounted basin spout without pop-up waste - Platinum / Brushed Platinum | 8 | 20 |